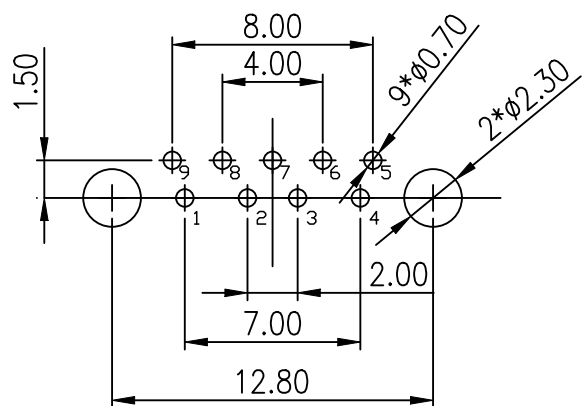
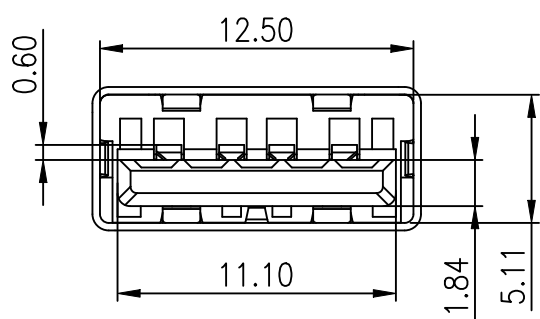


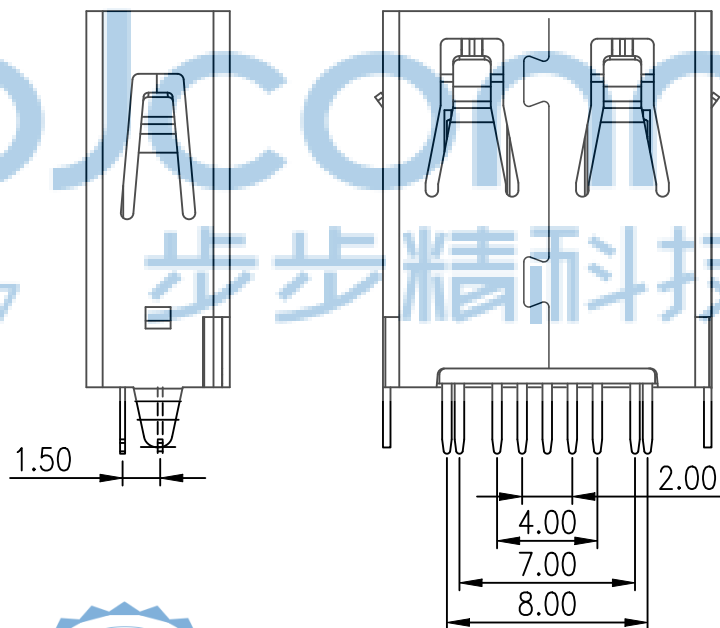
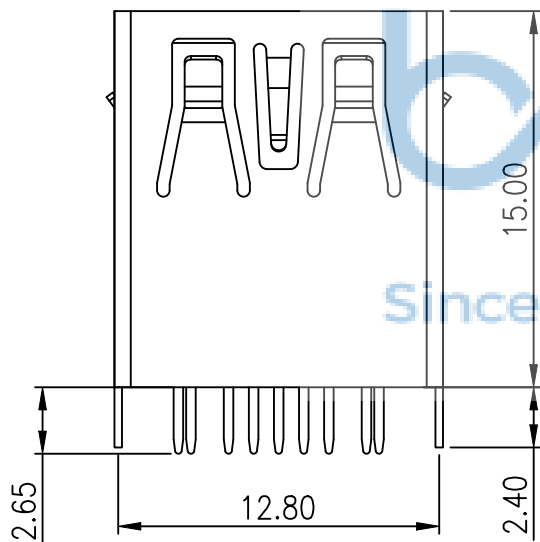
REV.	ECN NO	CONTENT	DATE	ENGINEER
A0				



P. C. B LAYOUT
TOL: ±0.05

NOTE:

- MATERIAL:
 - INSULATOR: PBT & PA9T & LCP
 - CONTACT: COPPER ALLOY C5191
 - SHELL: BRASS/SPCC/SUS201
- ELECTRICAL CHARACTERISTICS:
 - CONTACT RESISTANCE: 30mΩ MAXIMUM
 - CONTACT CURRENT RATING: 1.5A
 - DIELECTRIC WITHSTANDING VOLTAGE: 100 V R. M. S.
 - INSULATION RESISTANCE 100 MEGOHMS MIN
 - OPERATING TEMPERATURE: -20° C ~ 60° C
- PLATING
 - TERMINAL:
 - 50u" MIN NICKEL ALL OVER
 - 100u" MIN Tin ON SOLDER AREA
 - (1~30)u" Au ON CONTACT AREA
 - SHELL: 80u" MIN. NICEL ALL OVER



Pin NUMBER	SIGNAL NAME
1	VBUS
2	D-
3	D+
4	GND
5	StdA_SSRX-
6	StdA_SSRX+
7	GND_DRAIN
8	StdA_SSTX-
9	StdA_SSTX+
Shell	Shield



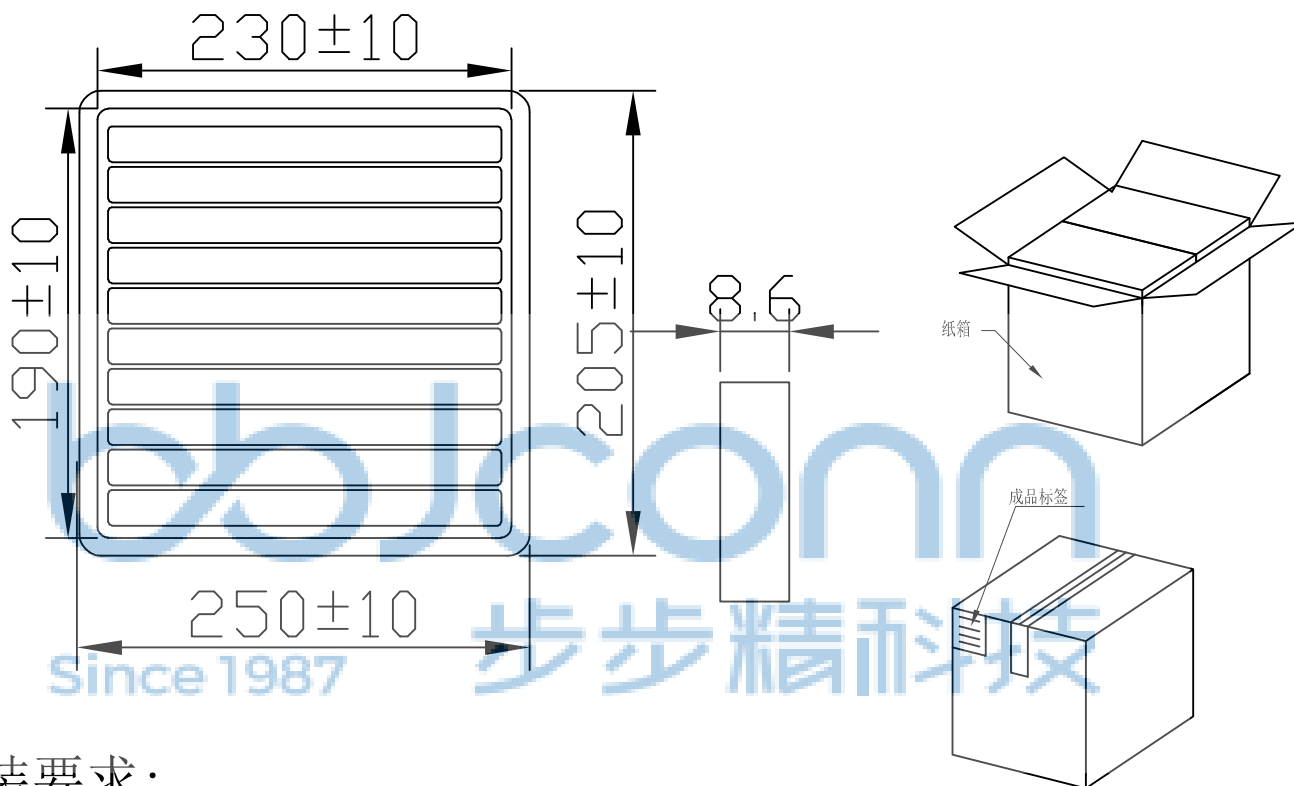
THIS DOCUMENT IS THE SOLE PROPERTY OF BBJconn Technology Co., Ltd. Corporation AND SHOULD NOT BE USED IN WHOLE OR IN PART WITHOUT PRIOR WRITTEN PERMISSION.

PDWG.No: 0471-1

深圳市步步精科技有限公司

.X: ±0.38	.X': ±3'	NAME: USB 3.0 AF 180度 H=15.0 直脚 直插 端子DIP 平口 LCP蓝胶 铁壳
.XX: ±0.25	.X': ±2'	
.XXX: ±0.13	.XX': ±1'	

APPD. JM_Zheng	PJ. NO.: 127-275-090007-Y4G
CHKD. LYX	SIZE: A4 DRW NO.:
DR. TSP	FINISH: SEE NOTES MAT'L.: SEE NOTES
	SCALE: N/A REV.: A0 UNIT: mm PAGE: 1/2



纸箱规格: 350*210*290

1. 包装要求:
- 1.1 每盒吸塑盒包装100pcs;
 - 1.2 每20盘放一箱, 共计2000PCS;
 - 1.3 纸箱外贴上标签。

THIS DOCUMENT IS THE SOLE PROPERTY OF BBJconn Technology Co.,Ltd Corporation AND SHOULD NOT BE USED IN WHOLE OR IN PART WITHOUT PRIOR WRITTEN PERMISSION. PDWG.NO: 0471-1	深圳市步步精科技有限公司		NAME: USB 3.0 AF 180度 H=15.0 直脚 直插 端子DIP 平口 LCP蓝胶 铁壳	
	.X: ±0.38 .XX: ±0.25 .XXX: ±0.13 X*: ±3* .X*: ±2* .XX*: ±1*		APPD. JM_Zheng	PJ. NO.: 127-275-090007-Y4G
	CHKD. LYX		DR. TSP	SIZE: A4 DRW NO.:
			FINISH: SEE NOTES MAT'L.: SEE NOTES SCALE: N/A REV.: AO UNIT: mm PAGE: 2/2	