



| REV. | ECN NO | CONTENT | DATE | ENGINEER |
|------|--------|-----------------|------|----------|
| A0 | | Initial release | / | TSP |

NOTE:

1. MATERIAL:

- 1.1 INSULATOR:PBT & PA9T &LCP
- 1.2 CONTACT:COPPER ALLOY
- 1.3 SHELL:BRASS&SPCC&SUS201

2. ELECTRICAL CHARACTERISTICS:

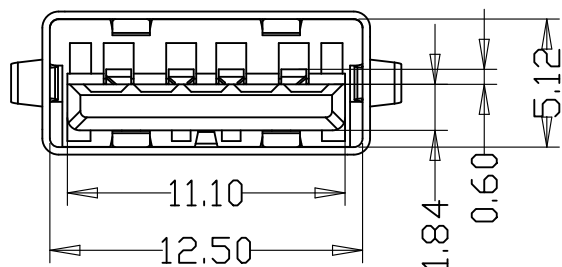
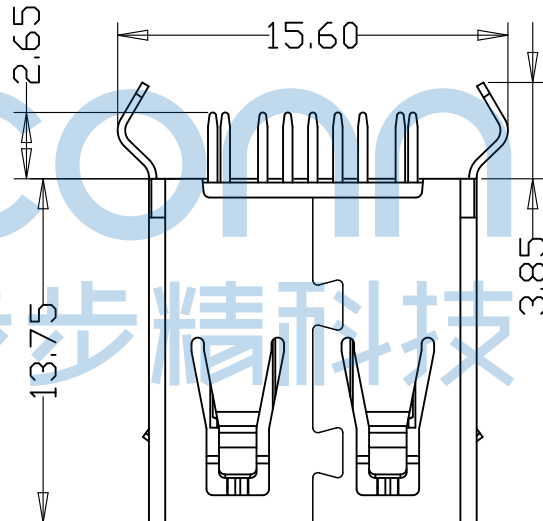
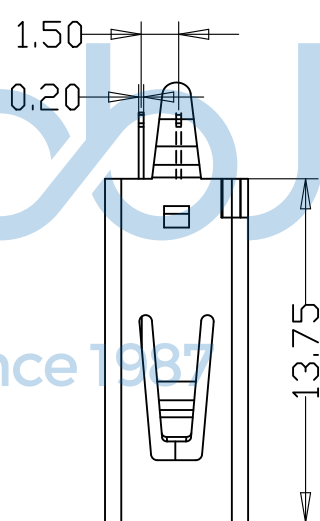
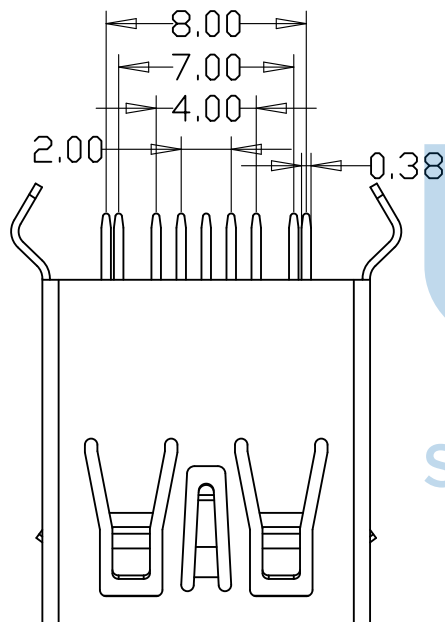
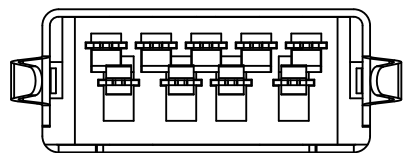
- 2.1 CONTACTRESISTANCE:40mΩ MAXIMUM
- 2.2 CONTACT CURRENT RATING:1.5A
- 2.3 DIELECTRIC WITHSTANDING VOLTAGE:100 V R. M. S.
- 2.4 INSULATION RESISTANCE 100 MEGOHMS MIN
- 2.5 OPERATING TEMPERATURE:-20° C ~ 60° C

3. PLATING

3.1 TERMINAL:

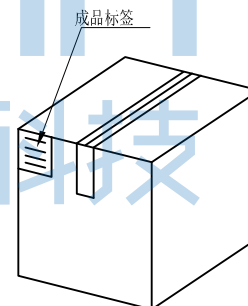
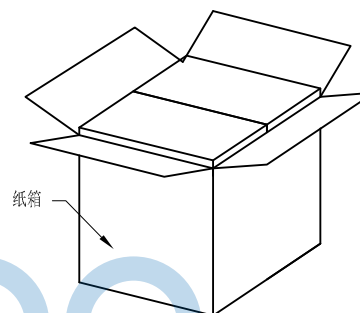
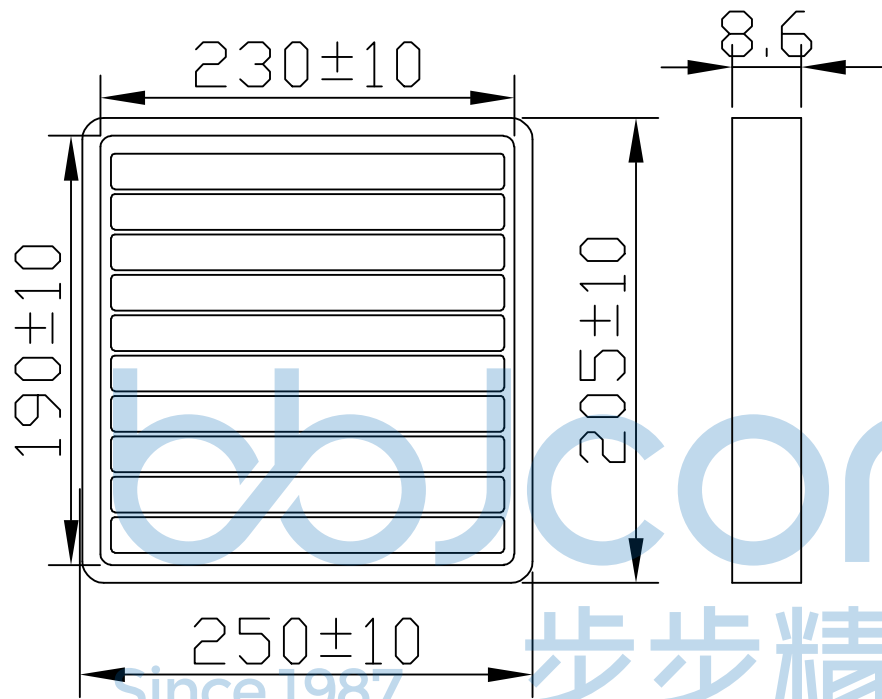
- 50u" MIN NICKEL ALL OVER
- 100u"MIN Tin ON SOLDER AREA
- (1~30)u"Au ON CONTACT AREA

3.2 SHELL:80u"MIN.NICEL ALL OVER



| Pin NUMBER | SIGNAL NAME |
|------------|-------------|
| 1 | VBUS |
| 2 | D- |
| 3 | D+ |
| 4 | GND |
| 5 | StdA_SSRX- |
| 6 | StdA_SSRX+ |
| 7 | GND_DRAIN |
| 8 | StdA_SSTX- |
| 9 | StdA_SSTX+ |
| Shell | Shield |

| | | | | | |
|--|----------|--|-----|--|-----------------------------|
| THIS DOCUMENT IS THE SOLE PROPERTY OF BBJconn Technology Co.,Ltd. Corporation AND SHOULD NOT BE USED IN WHOLE OR IN PART WITHOUT PRIOR WRITTEN PERMISSION. | | 深圳市步步精科技有限公司 .X: ±0.38 .XX: ±0.25 .XXX: ±0.13 X': ±3' .X': ±2' .XX': ±1' | | NAME: USB 3.0 AF 180度 弯脚 H=13.75 LCP黑胶 不锈钢外壳 平口 DIP | |
| APPD. | JM_Zheng | PJ. NO.: 127-275-090008-Y4G | | SIZE: A4 DRW NO.: | |
| CHKD. | LYX | FINISH: SEE NOTES | | MAT'L.: SEE NOTES | |
| PDWG.NO: | 0471-1 | DR. | TSP | SCALE: N/A | REV.: A0 UNIT: mm PAGE: 1/2 |



纸箱规格: 350*210*290

1. 包装要求:
- 1.1 每盒吸塑盒包装100pcs;
 - 1.2 每20盘放一箱, 共计2000PCS;
 - 1.3 纸箱外贴上标签。

| | | | |
|--|--|--|--|
| THIS DOCUMENT IS THE SOLE PROPERTY OF BBJconn Technology Co.,Ltd. Corporation AND SHOULD NOT BE USED IN WHOLE OR IN PART WITHOUT PRIOR WRITTEN PERMISSION. | | 深圳市步步精科技有限公司 | |
| .X: ±0.38 .XX: ±0.25 .XXX: ±0.13 | | X*: ±3* .X*: ±2* .XX*: ±1* | |
| APPD. JM_Zheng | | NAME: USB 3.0 AF 180度 弯脚 H=13.75 LCP黑胶 不锈钢外壳 平口 DIP | |
| CHKD. LYX | | PJ. NO.: 127-275-090008-Y4G | |
| DR. TSP | | SIZE: A4 DRW NO.: | |
| PDWG.NO: 0471-1 | | FINISH: SEE NOTES MAT'L.: SEE NOTES | |
| | | SCALE: N/A REV.: A0 UNIT: mm PAGE: 2/2 | |