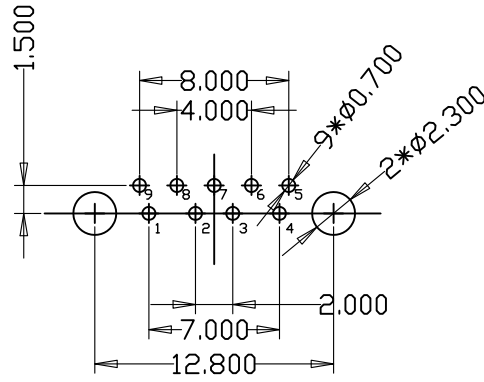
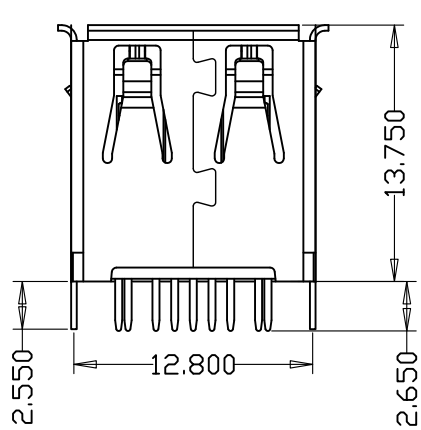




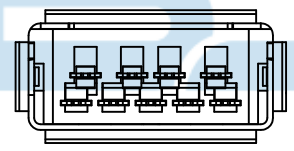
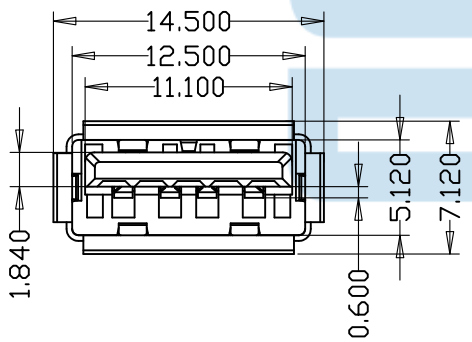
REV.	DESCRIPTION	NAME	DATE
A	NEWS ISSUE		



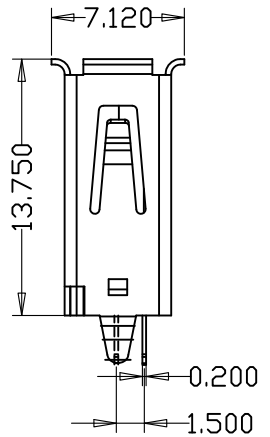
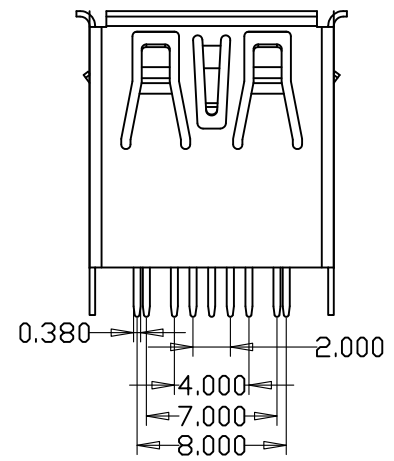
P. C. B LAYOUT
TOL: ±0.05



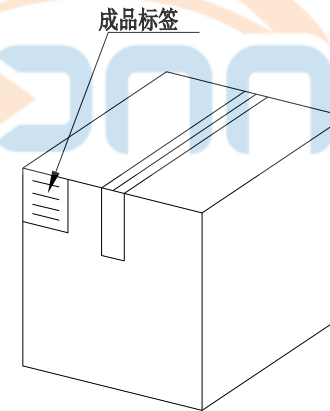
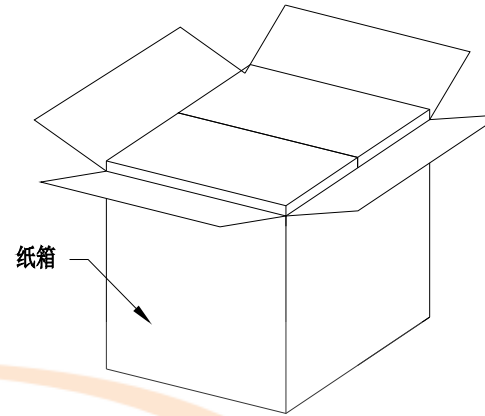
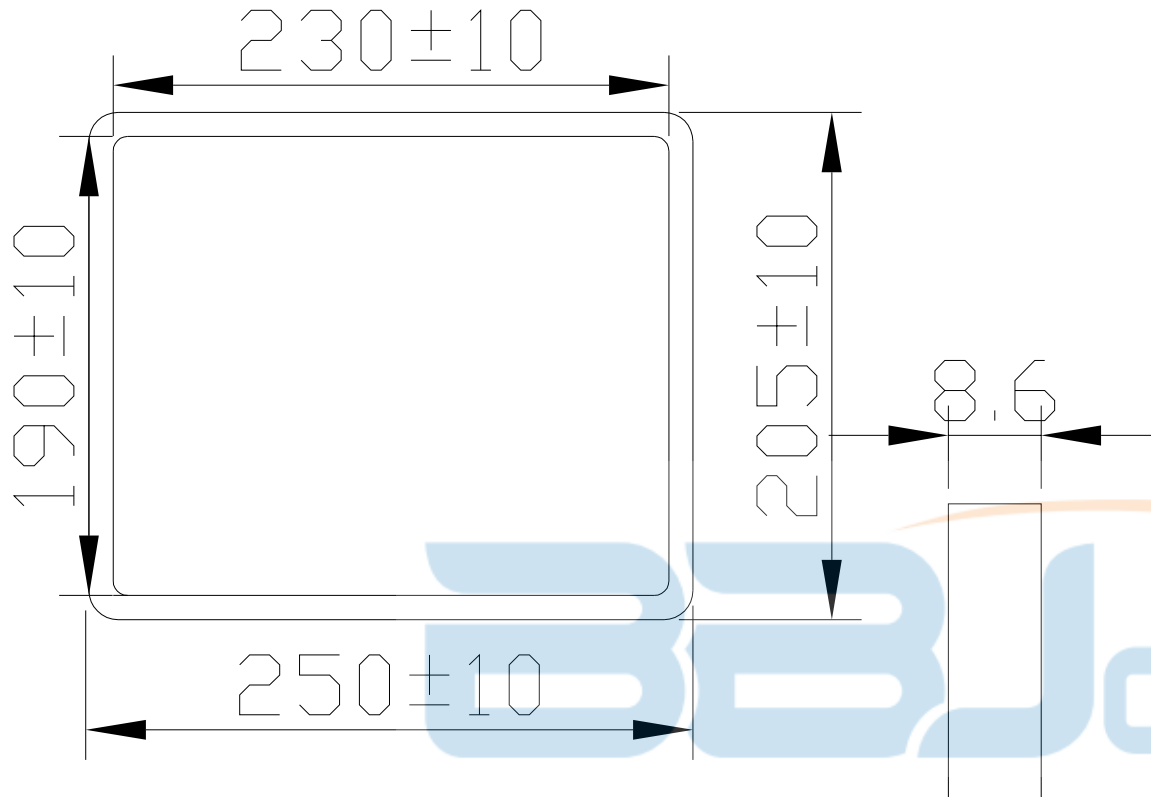
- NOTE:
- MATERIAL:
 - INSULATOR: PBT & PA9T & LCP
 - CONTACT: COPPER ALLOY
 - SHELL: BRASS & SPCC & SUS201
 - ELECTRICAL CHARACTERISTICS:
 - CONTACT RESISTANCE: 40mΩ MAXIMUM
 - CONTACT CURRENT RATING: 1.5A
 - DIELECTRIC WITHSTANDING VOLTAGE: 100 V R. M. S.
 - INSULATION RESISTANCE 100 MEGOHMS MIN
 - OPERATING TEMPERATURE: -20° C ~ 60° C
 - PLATING
 - TERMINAL:
 - 50u" MIN NICKEL ALL OVER
 - 100u" MIN Tin ON SOLDER AREA
 - (1~30)u" Au ON CONTACT AREA
 - SHELL: 80u" MIN. NICEL ALL OVER



Pin NUMBER	SIGNAL NAME
1	VBUS
2	D-
3	D+
4	GND
5	StdA_SSRX-
6	StdA_SSRX+
7	GND_DRAIN
8	StdA_SSTX-
9	StdA_SSTX+
Shell	Shield



TOLERANCES UNLESS OTHERWISE SPECIFIED X. ±0.30 X.X ±0.20 X.XX ±0.15 X.XXX ±0.05 ANGEL ±1°		深圳市步步精科技有限公司	
TITLE: USB 3.0 AF 180度 直脚直插 H=13.75 端子DIP 卷边 LCP蓝胶 不锈钢外壳 端子镀金1u			
DRAWN/ DATE	设计 TSP	SIZE: A4	UNIT: MM. PART. NO: 127-275-090010-Y4G
CHECKED/ DATE	审核 LYX	SCALE: 1:1	PROJECTION REV.: 版本
APPROVED/ DATE	核准 LJP	DWG. PATH	0471-1 SHEET: 页码



纸箱规格：350*210*290

1. 包装要求:

- 1.1 每盒吸塑盒包装100 pcs;
- 1.2 每20盘放一箱，共计2000PCS;
- 1.3 纸箱外贴上标签



TOLERANCE UNSPECIFIED		深圳市步步精科技有限公司			
.0 ±0.35		TITLE: USB 3.0 AF 180度 直脚直插 H=13.75 端子DIP			
.00 ±0.25		卷边 LCP蓝胶 不锈钢外壳 端子镀金1u			
.000 ±0.15		SIZE: A4	UNIT: MM.	PART. NO: 127-275-090010-Y4G	
X. ° ±2.00°		CHECKED/ DATE	SCALE: 1:1	PROJECTION	REV.: 版本
CUSTOMER DRAWING		DRAWN/ DATE	DWG. PATH	0471-1	
		设计 TSP			SHEET: 页码
		审核 LYX			
		核准 LJP			