

REV	ECN NO	CONTENT	DATE	ENGINEER
AO		INITIAL RELEASE	/	SGF

SPECIFICATION

MATERIALS AND PLATING

- SHELL MATERIAL: SPCC T=0.30
PLATING: Ni PLATING OVER ALL , OTHER SPEC SEE THE TABLE .
- TERMINAL MATERIAL: C2680 FOR 5PIN , C5191 FOR 4 PIN ,
PLATING: GOLD PLATING ON CONTACT AREA 1u" , TIN 80u" PLATING ON
SOLDER AREA , Ni 50u" UNDERPLATING OVER ALL . OTHER SPEC SEE THE TABLE .

ELECTRICAL PERFORMANCE

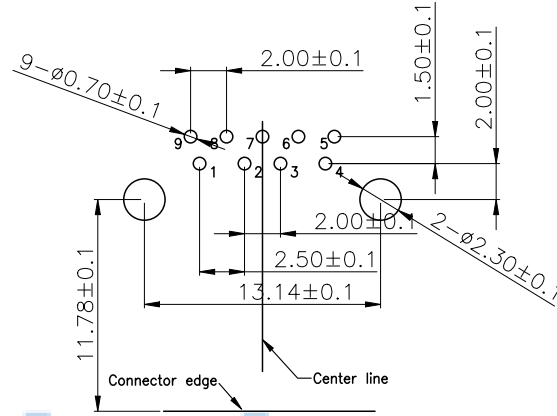
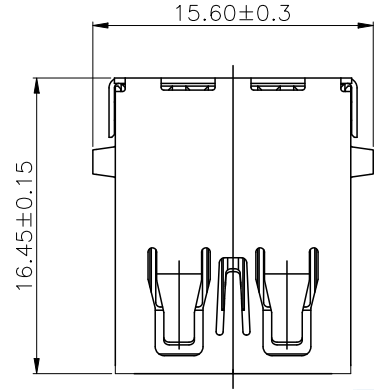
- RATED VOLTAGE:30V rms MAX.
- RATED CURRENT:1.8A
- INSULATION RESISTANCE:100 MΩ MIN ,500V DC , TEST TIME:1 SEC MIN.
- DIELECTIC WITHSTANDING VOLTAGE:100V AC , TEST TIME:1 SEC MIN.
- CONTACT RESISTANCE:30mΩ MAX INITIAL FOR VBUS AND GND CONTACTS.
50mΩ MAX INITIAL FOR ALL OTHER CONTACTS.

ENVIRONMENTAL PERFORMANCE

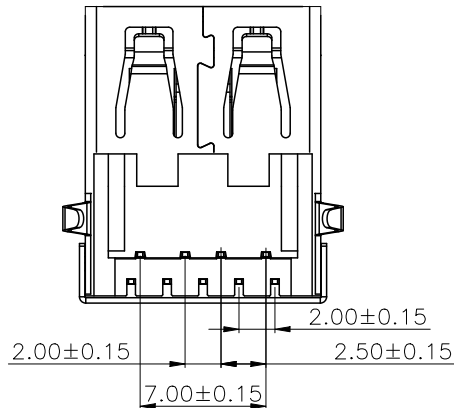
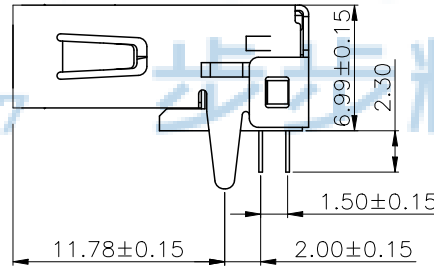
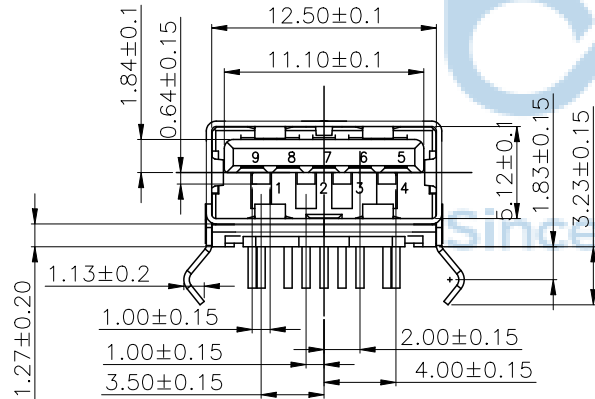
- OPERATING TEMPERATURE :-40°C TO +85°C
- STORAGE TEMPERATURE:-20°C TO +60°C
- RELATIVE HUMIDITY (%):20%~70%
- STORAGE LIFE: 6 MONTHS MAX.
- SALT SPRAY TEST: 24H OR OTHER SPEC SEE THE TABLE

MECHANICAL PERFORMANCE

- DURABILITY:1500 CYCLES
- INSERTION FORCE:35N MAX.
- EXTRACTION FORCE:10N MIN.
- THE PEAK OF TEMPERATURE ON SOLDERING:THT:260±5°C 5~10S



RECOMMENDED P.C.B HOLE LAYOUT (TOP VIEW)
P.C.B THICKNESS=1.60mm (TOLERANCE=±0.05)

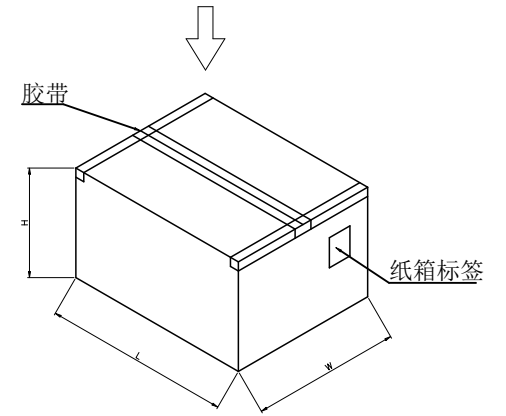
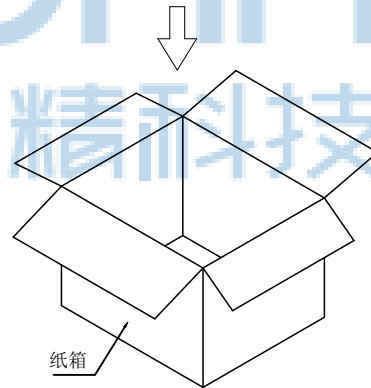
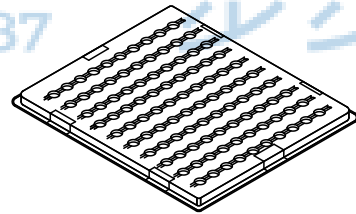
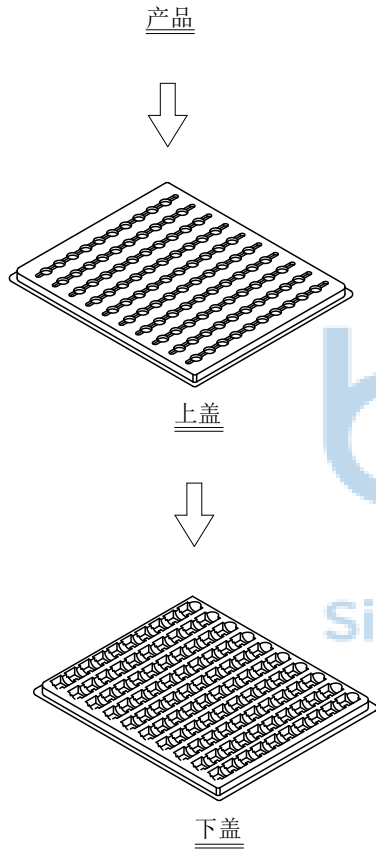


Pin NUMBER	SIGNAL NAME
1	VBUS
2	D-
3	D+
4	GND
5	StdA_SSRX-
6	StdA_SSRX+
7	GND_DRAIN
8	StdA_SSTX-
9	StdA_SSTX+
Shell	Shield



THIS DOCUMENT IS THE SOLE PROPERTY OF BBJconn Technology Co.,Ltd. Corporation AND SHOULD NOT BE USED IN WHOLE PRIOR WRITTEN PERMISSION.	深圳市步步精科技有限公司 .X: ±0.38 X': ±3" .XX: ±0.25 X": ±2" .XXX: ±0.13 .XX': ±1"		NAME: USB 3.0 AF 90度 后两脚弯插 端子DIP 平口 L=16.45 铁壳 PBT蓝胶 盒装	
	APPD	JM_Zheng	PJ NO: 127-272-090009-W7G SIZE:A4 DRW NO:	FINISH:SEE NOTES MAT'L:SEE NOTES SCALE:N/A REV:AO UNIT:mm PAGE:1/2
PDWG NO: 0383-1	DR	SGF		

REV	ECN NO	CONTENT	DATE	ENGINEER
A0		INITIAL RELEASE	/	SGF



纸箱规格: L350*W210*H290

1、包装要求:

- 1.1 每盒吸塑盒包装100pcs;
- 1.2 每10盘放一箱, 共计1000PCS;
- 1.3 纸箱外贴上标签。



THIS DOCUMENT IS THE
SOLE PROPERTY OF
BBJconn Technology Co.,Ltd.
Corporation AND SHOULD
NOT BE USED IN WHOLE
PRIOR WRITTEN PERMISSION.
PDWG NO: 0383-1

深圳市步步精科技有限公司	
.X: ±0.38 .XX: ±0.25 .XXX: ±0.13	X': ±3" .X': ±2" .XX': ±1"
NAME: USB 3.0 AF 90度 后两脚弯插 端子DIP 平口 L=16.45 铁壳 PBT蓝胶 盒装	
APPD: JM_Zheng CHKD: LYX DR: SGF	PJ NO: 127-272-090009-W7G SIZE:A4 DRW NO: FINISH:SEE NOTES MAT'L:SEE NOTES SCALE:N/A REV:A0 UNIT:mm PAGE:2/2