

REV	ECN NO	CONTENT	DATE	ENGINEER
A0		INITIAL RELEASE	/	SGF



规格型号: Specifications:

电气特性: Electrical:

1. 额定电流: Current Rating
1.8A/contact terminal
2. 额定电压: Voltage Rating
30V DC
3. 接触阻抗: Contact Resistance
30 milliohms Max
4. 耐电压: Dielectric Withstanding Voltage:
500 V AC AT Sea Level
5. 阻抗: Insulation Resistance:
1000MEGA ohms Min

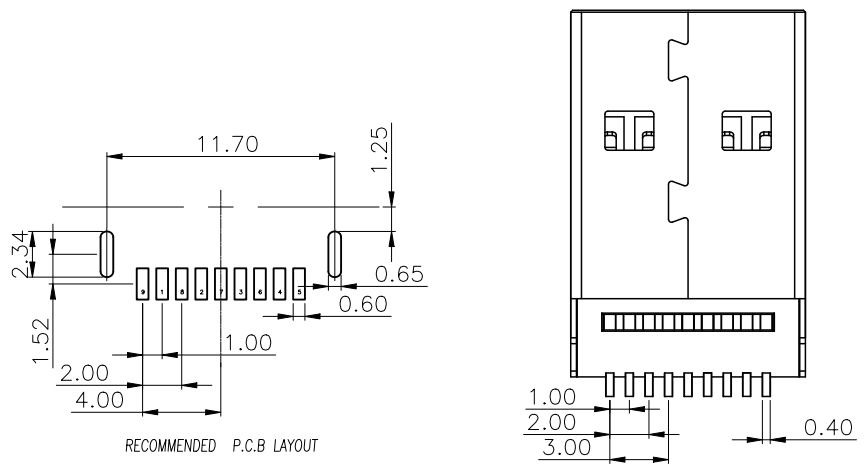
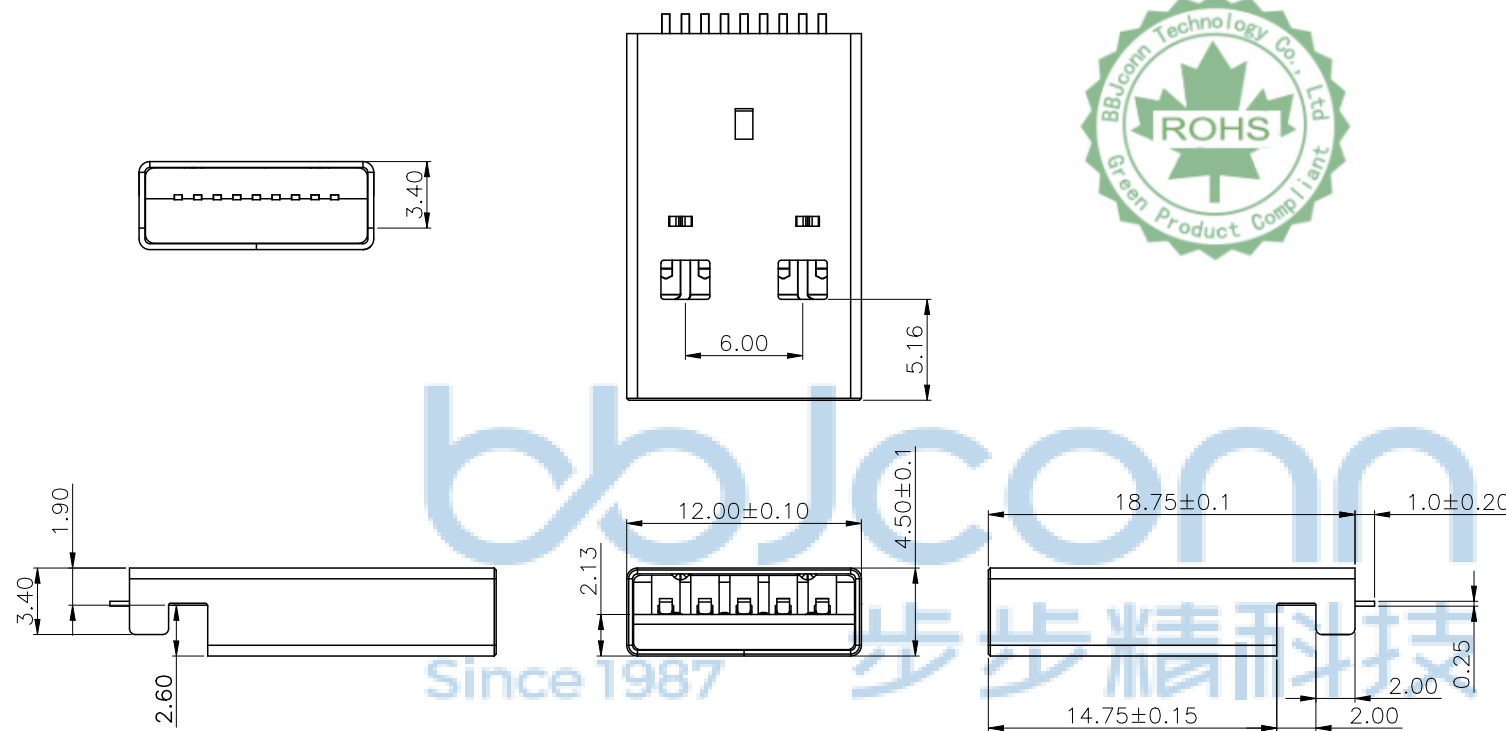
物理性能: Mechanical:

1. 插拔力: Connector Mate and Unmate Force
Mate force: 3.57kgf (Max)
Unmate force: 1.02kgf (Min)
2. 端子保持力: Terminal Retention
1.0kgf (Min)

原材料: Material:

1. 塑胶: Housing:
Hing Temperature Ternmaplastics,
LCP Blue
 2. 端子: Contact: Copper Alloy C2680
 3. 外壳: Shell: SPCC
1. 端子: Contact: Plated Gold in Mating Area;
Tin On Solder Talls
端子四周镀50U" (MIN) 锡
2. 外壳: Shell:
外壳四周镀80U" (MIN) Ni
Nickel Plating

1	VBUS
2	D-
3	D+
4	GND
5	StdB_SSTX-
6	StdB_SSTX+
7	GND_DRAIN
8	StdB_SSRX-
9	StdB_SSRX+
PIN	SIGNAL NAME



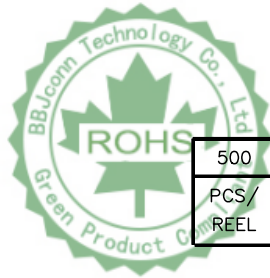
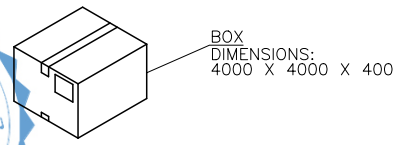
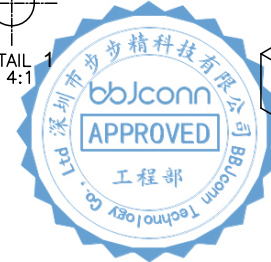
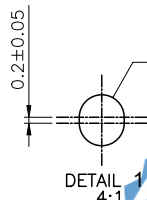
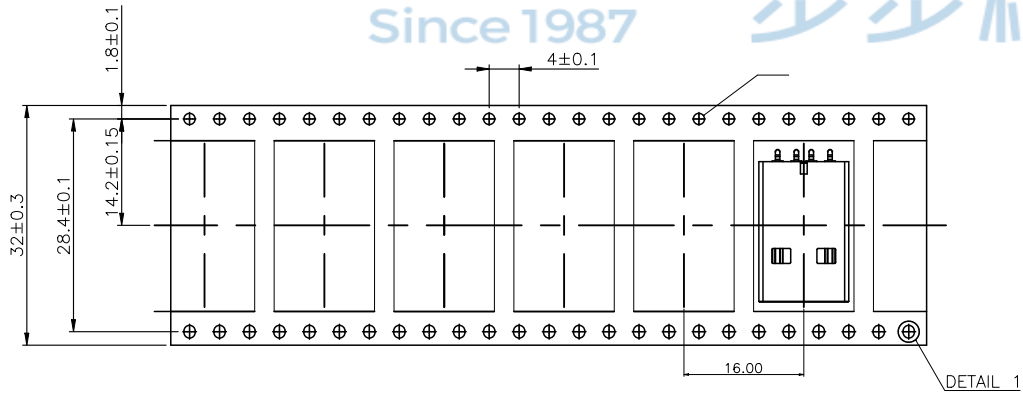
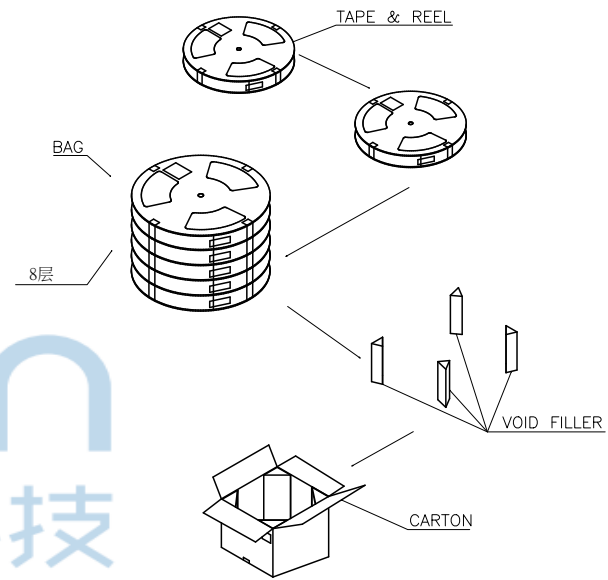
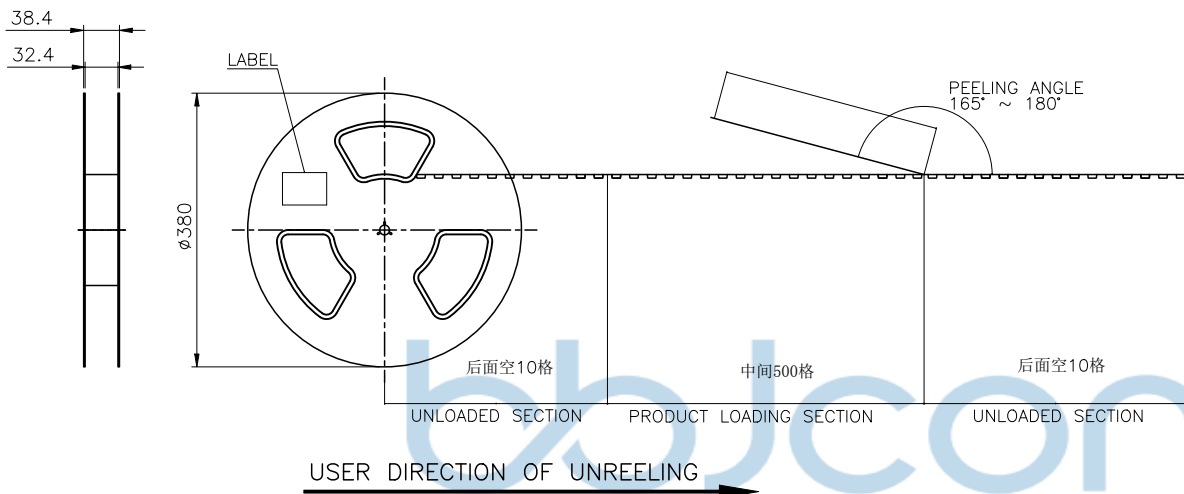
THIS DOCUMENT IS THE SOLE PROPERTY OF BBJconn Technology Co.,Ltd. Corporation AND SHOULD NOT BE USED IN WHOLE PRIOR WRITTEN PERMISSION.

PDWG NO: 0383-1

深圳市步步精科技有限公司

.X: ±0.38	X': ±3'	NAME: USB 3.0 公头 90度 L=18.75 沉板2.6 直脚 端子SMT 无柱 LCP蓝胶 铁壳 盒装			
.XX: ±0.25	.X': ±2'				
.XXX: ±0.13	.XX': ±1'				
APPD	JM_Zheng	PJ NO: 127-171-090001-W7G			
CHKD	LYX		SIZE:A4 DRW NO:		
DR	SGF	FINISH:SEE NOTES	MAT'L:SEE NOTES		
		SCALE:N/A	REV:A0	UNIT:mm	PAGE:1/1

REV	ECN NO	CONTENT	DATE	ENGINEER
A0		INITIAL RELEASE	/	LYX



500	10	5000 PCS	-- KG	-- KG
PCS/REEL	REELS/CARTON	QUANTITY	GROSS WEIGHT	NET WEIGHT

THIS DOCUMENT IS THE SOLE PROPERTY OF BBJconn Technology Co.,Ltd. Corporation AND SHOULD NOT BE USED IN WHOLE PRIOR WRITTEN PERMISSION.	深圳市步步精科技有限公司 工程管理部		NAME: USB 3.0 公头 90度 L=18.75 沉板2.6 直脚 端子SMT 无柱 LCP蓝胶 铁壳 盒装	
	APPD	JM_Zheng	PJ NO: 127-171-090001-W7G	
	CHKD	Tang	SIZE:A4 DRW NO:	
	PDWG NO:0383-1	DR	LYX	FINISH:SEE NOTES
		SCALE:N/A		REV:A0
		UNIT:mm		PAGE:2/2