

REV	ECN NO	CONTENT	DATE	ENGINEER
A0		INITIAL RELEASE	/	SGF

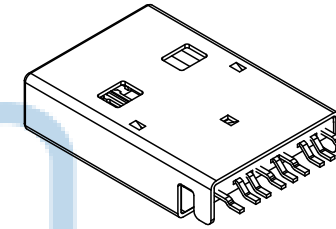
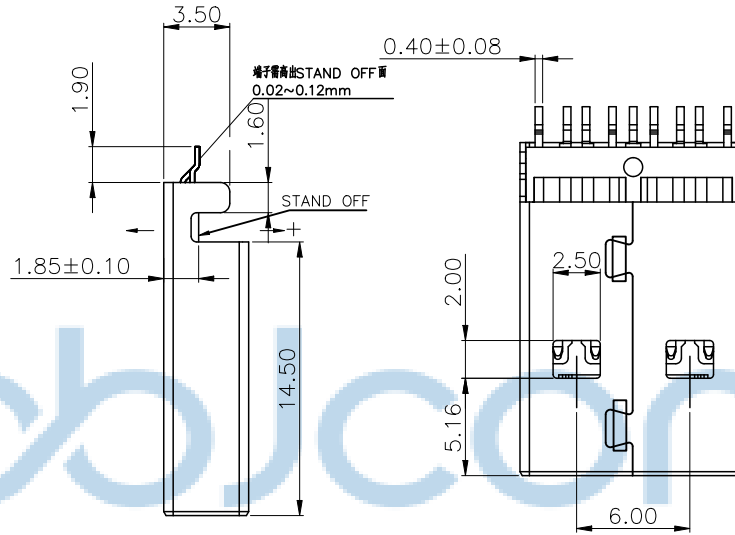
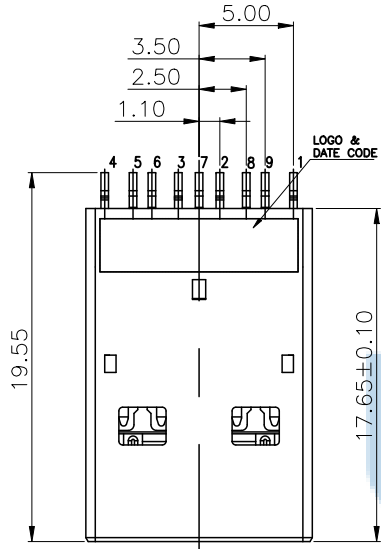
NOTES:

1.MATERIAL:

HOUSING: THERMOPLASTIC UL 94-HB RATED BLUE COLOR.  
USB CONTACT: COPPER ALLOY.  
SHIELD: SPCC.

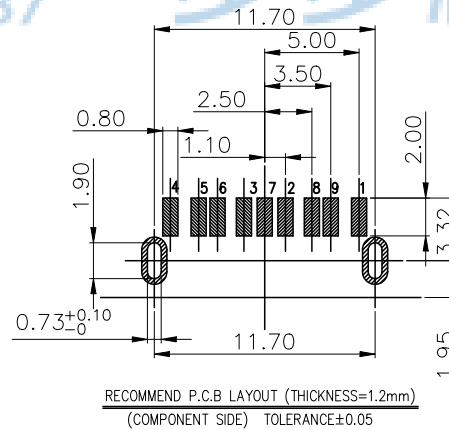
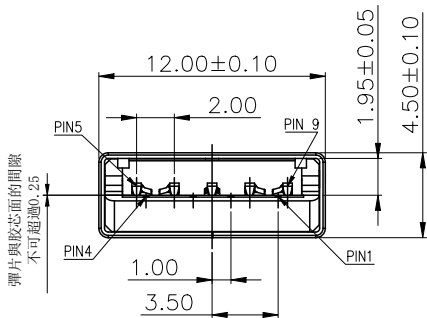
2.FINISH:

CONTACT: 1u" GOLD PLATING ON CONTACT AREA  
2.54mm [100m"] MATTE-TIN PLATING ON SOLDER TAIL,  
2.032mm [80m"] NICKEL UNDER PLATING OVER ALL.  
SHIELD: 0.762mm [30m"] Cu UNDERPLATING OVER ALL  
0.762mm [30m"] Ni PLATING OVER ALL.



Since 1987

步步精科技



Pin NUMBER	SIGNAL NAME
1	VBUS
2	D-
3	D+
4	GND
5	StdA_SSRX-
6	StdA_SSRX+
7	GND_DRAIN
8	StdA_SSTX-
9	StdA_SSTX+
Shell	Shield

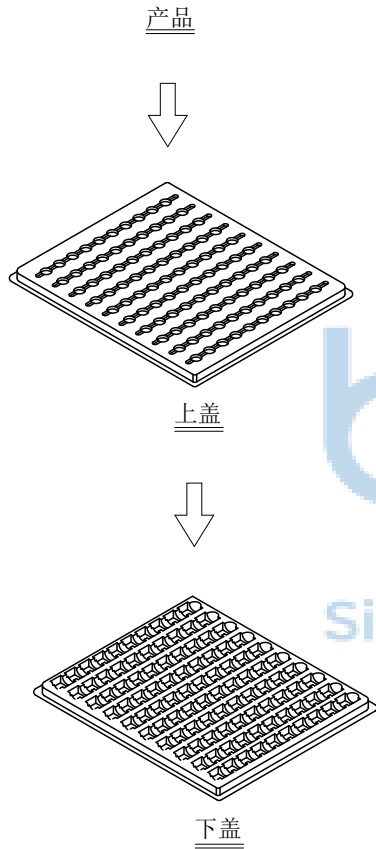


THIS DOCUMENT IS THE SOLE PROPERTY OF BBJconn Technology Co.,Ltd. Corporation AND SHOULD NOT BE USED IN WHOLE PRIOR WRITTEN PERMISSION.

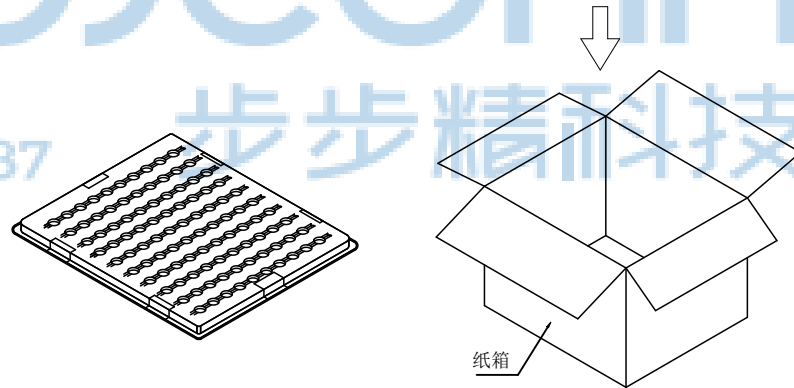
**深圳市步步精科技有限公司**

NAME: USB 3.0 公头 过10G 90度 沉板2.6 两脚插 端子SMT 平口 L=17.65 LCP蓝胶 铁壳 盒装	PJ NO: 127-171-090005-P2G
APPD: JM_Zheng	SIZE: A4 DRW NO:
CHKD: LYX	FINISH: SEE NOTES MAT'L: SEE NOTES
PDWG NO: 0536-1	SCALE: N/A REV: A0 UNIT: mm PAGE: 1/2

REV	ECN NO	CONTENT	DATE	ENGINEER
A0		INITIAL RELEASE	/	SGF



bbJconn  
Since 1987 步步精科技



纸箱规格: L350\*W210\*H290

1、包装要求:

- 1.1 每盒吸塑盒包装100pcs;
- 1.2 每20盘放一箱, 共计2000PCS;
- 1.3 纸箱外贴上标签。



THIS DOCUMENT IS THE  
SOLE PROPERTY OF  
BBJconn Technology Co.,Ltd.  
Corporation AND SHOULD  
NOT BE USED IN WHOLE  
PRIOR WRITTEN PERMISSION.

**深圳市步步精科技有限公司**

.X: ±0.38	X': ±3'	NAME:USB 3.0 公头 过10G 90度 沉板2.6 两脚插	
.XX: ±0.25	.X': ±2'	端子SMT 平口 L=17.65 LCP蓝胶 铁壳 盒装	
.XXX: ±0.13	.XX': ±1'	APPD	JM_Zheng
		CHKD	LYX
		DR	SGF
PDWG NO: 0536-1		PJ NO: 127-171-090005-P2G	
		SIZE:A4	DRW NO:
		FINISH:SEE NOTES	MAT'L:SEE NOTES
		SCALE:N/A	REV:A0
		UNIT:mm	PAGE:2/2