

REV.	ECN NO	CONTENT	DATE	ENGINEER
AO				

规格说明:Specifications:

电气特性:Electrical:

1. 额定电流: Current Rating
1.5A/contact terminal
2. 额定电压: Voltage Rating
30V DC
3. 接触阻抗: Contact Resistance
30 milliohms MAX
4. 耐电压: Dielectric Withstanding Voltage:
500 V AC AT Sea Level
5. 绝缘阻抗: Insulation Resistance:
1000MEGA ohms MIN

物理性能: Mechanical:

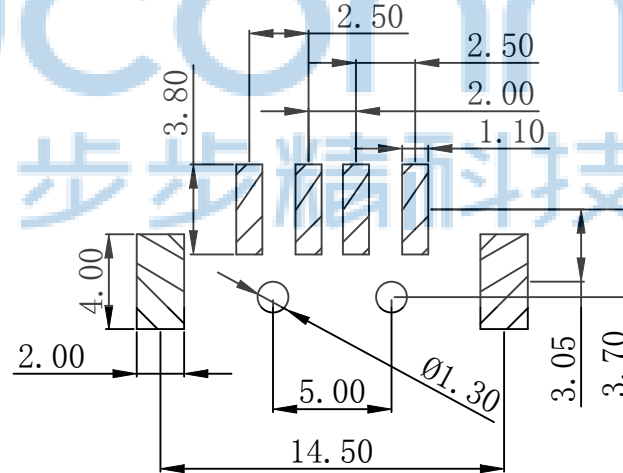
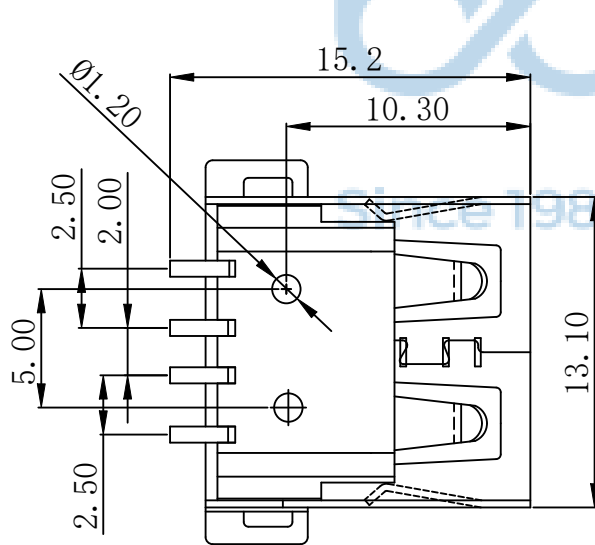
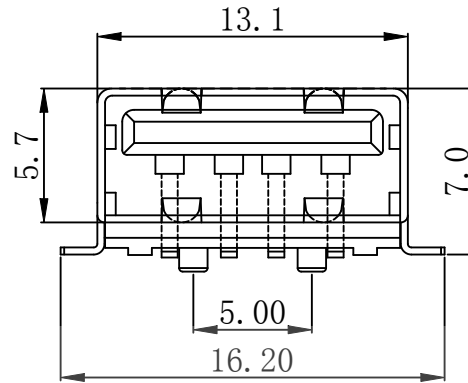
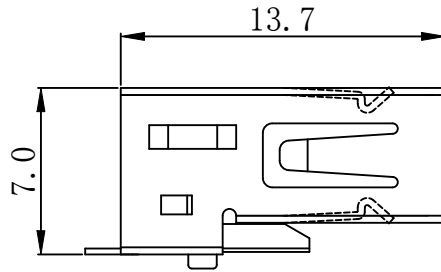
1. 插拔力: Connector Mate and Unmate Force
Mate force: 35N (MAX)
Unmate force: 10N (MIN)
2. 端子保持力: Terminal Retention
10N (MIN)

原材料: Material:

1. 塑胶: Housing:
Hing Temperature Ternmaplastics,
Ul 94V-0 LCP Black/WHITE
2. 端子: Contact: Copper Alloy C2680/C5191
3. 外壳: Shell: Copper Alloy C2680/SPCC

电镀: Finish:

1. 端子: Contact: Plated Gold in Mating Area;
Tin On Solder Talls
2. 外壳: Shell:
Nickel Plating

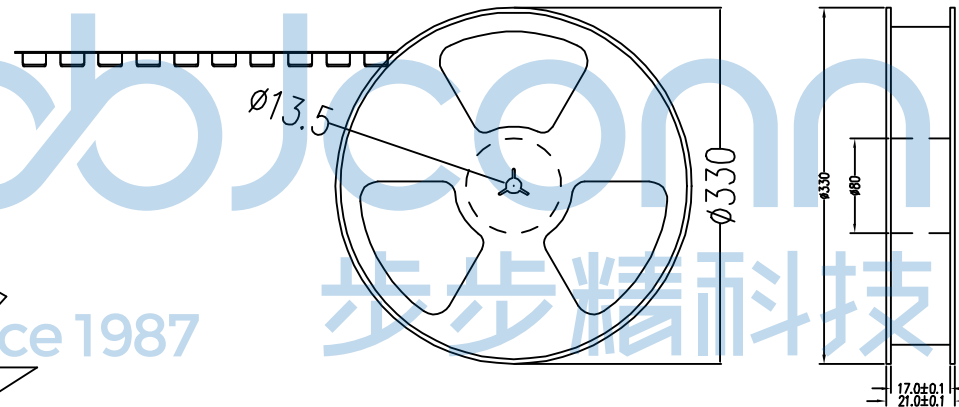
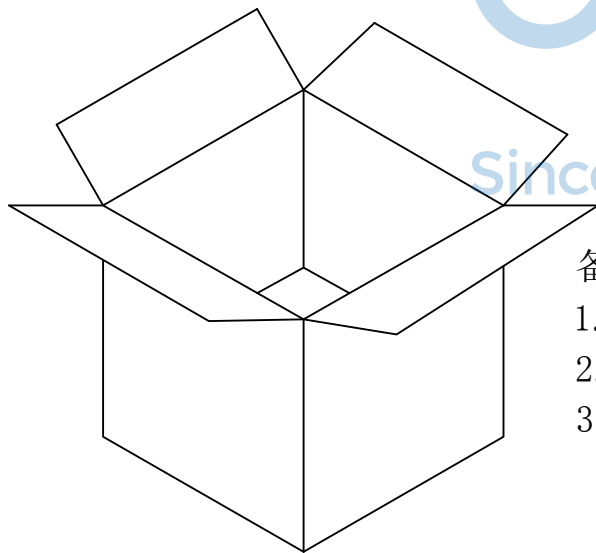
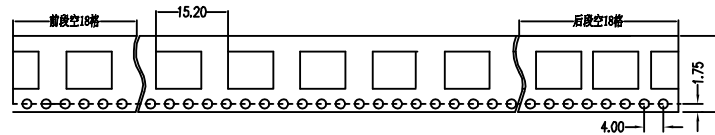
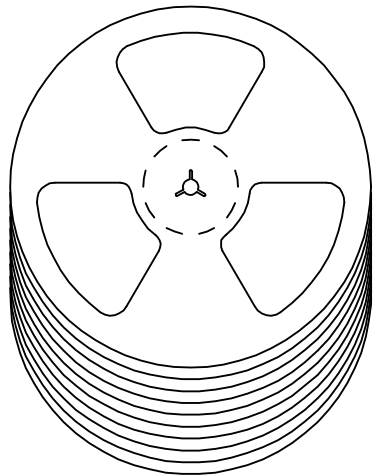


RECOMMEND P. C. B LAYOUT
TOLERANCE: ±0.05 (TOP VIEW)



THIS DOCUMENT IS THE
SOLE PROPERTY OF
BBJconn Technology Co.,Ltd.
Corporation AND SHOULD
NOT BE USED IN WHOLE
OR IN PART WITHOUT
PRIOR WRITTEN PERMISSION.
PDWG.NO: 0235-1

深圳市步步精科技有限公司		NAME: USB 2.0 AF 90度 两脚贴片 带柱1.2 L=13.70 H=7.0 方耳脚 端子SMT 平口 LCP黑胶 铁壳(USB-073)			
.X: ±0.38	.X': ±3'	APPD. JM_Zheng	PJ. NO.: 127-271-040001-W8G		
.XX: ±0.25	.X': ±2'			SIZE: A4 DRW NO.:	
.XXX: ±0.13	.XX': ±1'			FINISH: SEE NOTES MAT'L.: SEE NOTES	
CHKD. LYX	DR. LHC	SCALE: N/A	REV.: AO	UNIT: mm	PAGE: 1/2



备注:

1. 包装数量: 500 /PCS/卷, 10卷/箱。
2. 包装袋长度: 每卷前后各空10-20个空格, 中间包装。
3. 材质:
载体: 聚丙烯 (PS), 阻抗 $10^{6-9} \Omega$
上带: 聚乙烯 (PET), 阻抗 $10^{6-11} \Omega$
卷盘: 聚苯乙烯。

纸箱规格: 345*345*23MM

纸箱规格: 345*345*35MM

THIS DOCUMENT IS THE SOLE PROPERTY OF BBJconn Technology Co.,Ltd. Corporation AND SHOULD NOT BE USED IN WHOLE OR IN PART WITHOUT PRIOR WRITTEN PERMISSION.		深圳市步步精科技有限公司 .X: ±0.38 .X': ±3' .XX: ±0.25 .X'': ±2' .XXX: ±0.13 .X''': ±1'		NAME: USB 2.0 AF 90度 两脚贴片 带柱1.2 L=13.70 H=7.0 方耳脚 端子SMT 平口 LCP黑胶 铁壳(USB-073)	
APPD.	JM_Zheng	PJ. NO.: 127-271-040001-W8G SIZE: A4 DRW NO.:		FINISH: SEE NOTES MAT'L.: SEE NOTES	
CHKD.	LYX	DR.		LHC	SCALE: N/A REV.: A0 UNIT: mm PAGE: 2/2
PDWG.NO: 0235-1					