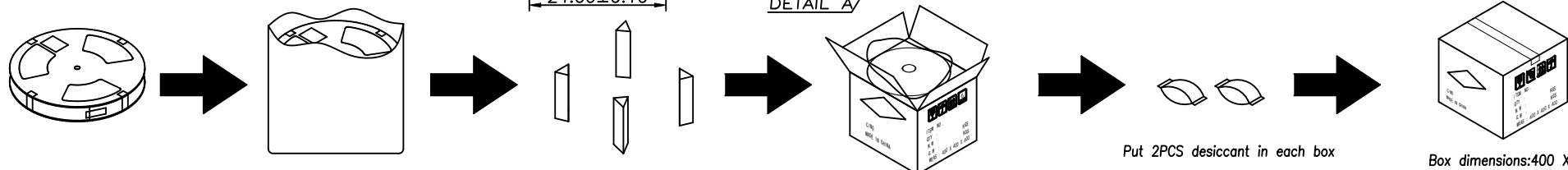
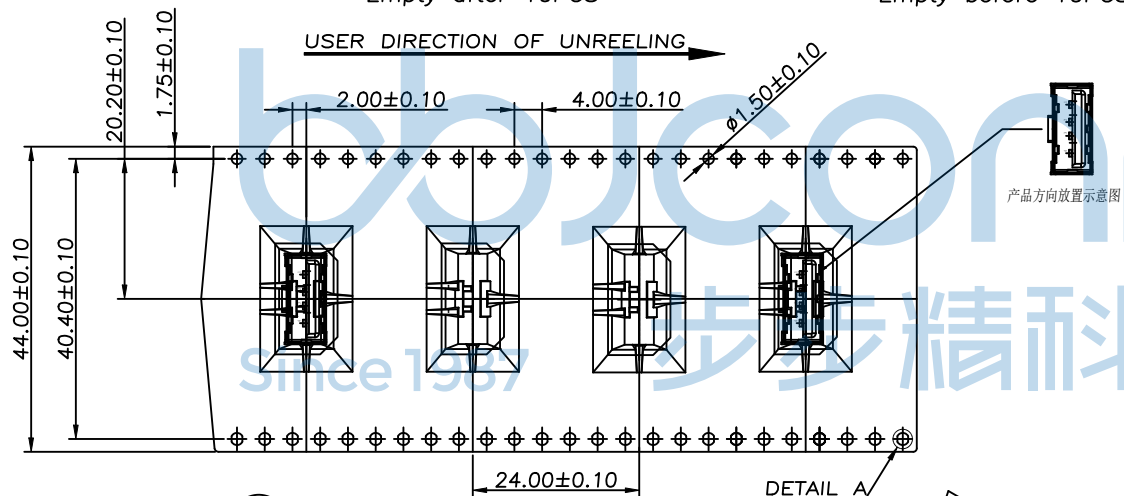
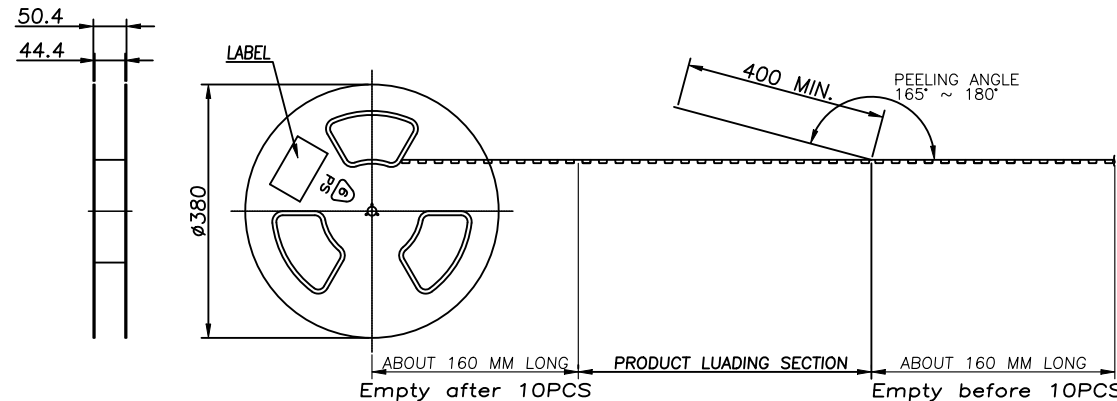


REV.	ECN NO	CONTENT	DATE	ENGINEER
AO		Initial release	/	TSP

NOTE:

- MATERIAL:
BOX: FIBREBOARD, CORRUGATED, DOUBLE WALL.
TAPE: POLYSTYRENES, HEAT-RESISTANT TEMPERATURE: 120°C, Transparent COLOR.
REEL: POLYSTYRENES, HEAT-RESISTANT TEMPERATURE: 70°C, BLUE COLOR.
BAG: POLYETHYLENE, HEAT-RESISTANT TEMPERATURE: 100°C.
- PEELING STRENGTH: 0.1 ~ 1.3 N (10 ~ 130 GRAMS)
- PEELING SPEED: 300 mm/min.
- EACH BAG SHALL BE INCLUDED DESICCANT.



Each reels contains 180 PCS

Each bag contains 8 reels

Put 4PCS corner protector in each box

Put 8PCS rolls in each box

Put 2PCS desiccant in each box

Box dimensions:400 X 400 X 400

THIS DOCUMENT IS THE SOLE PROPERTY OF BBJconn Technology Co.,Ltd Corporation AND SHOULD NOT BE USED IN WHOLE OR IN PART WITHOUT PRIOR WRITTEN PERMISSION.

深圳市步步精科技有限公司

.X: ±0.38 X*: ±3*
.XX: ±0.25 .X*: ±2*
.XXX: ±0.13 .XX*: ±1*

NAME: USB 2.0 A母 180度 DIP 四脚插 平口 不锈钢外壳
LCP黑胶 锡脚1.35 H=16.0 加盖编带

APPD. JM_Zheng

PJ. NO.: 127-275-040001-K4G

CHKD. LYX

SIZE: A4 DRW NO.:

PDWG.NO: 0886-1 DR. TSP

FINISH: SEE NOTES MAT'L.: SEE NOTES

SCALE: N/A REV.: AO UNIT: mm PAGE: 2/2

180 PCS	8 R	1440 PCS	-- KG	-- KG
PSC/Reel	Reel/CARTON	QUANTITY	CROSS WEIGHT	NET WEIGHT