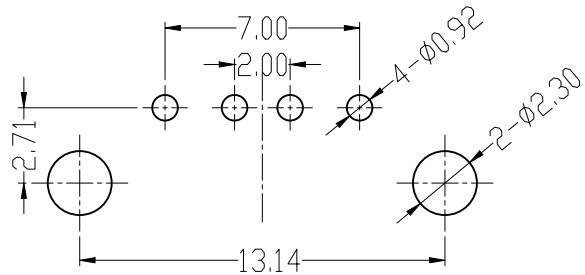
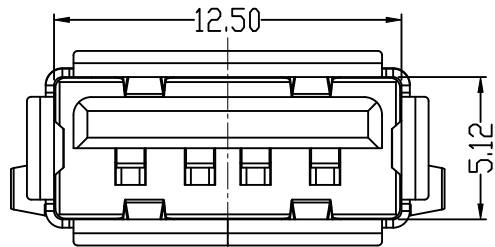


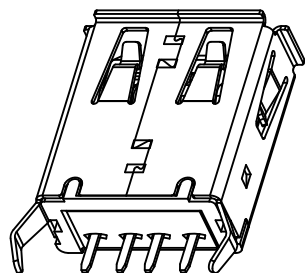
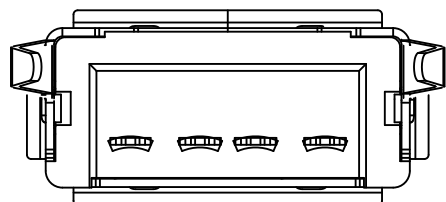
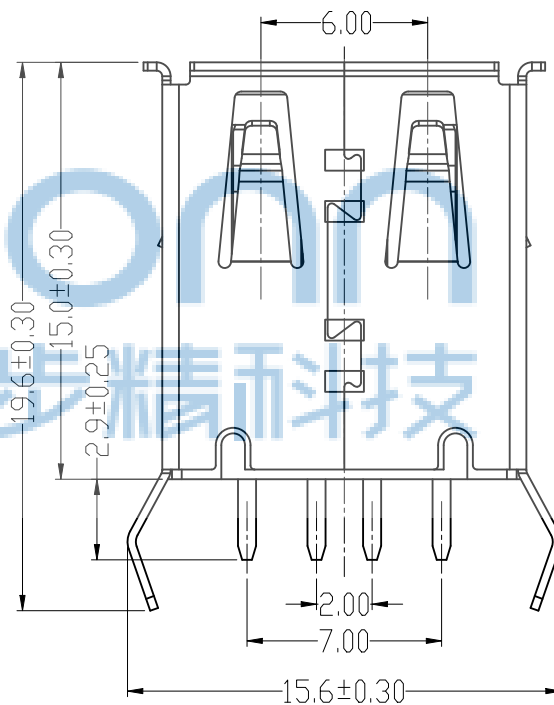
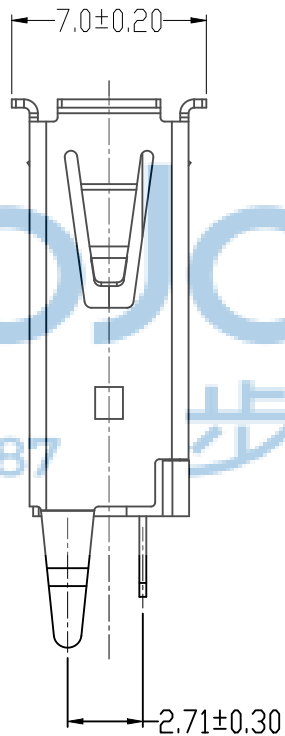
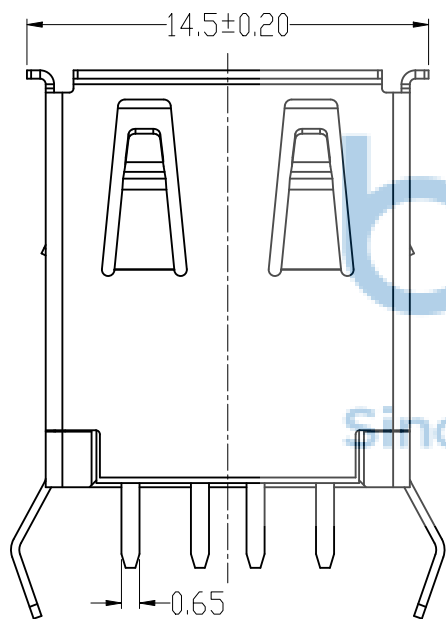
REV.	ECN NO	CONTENT	DATE	ENGINEER
AO				



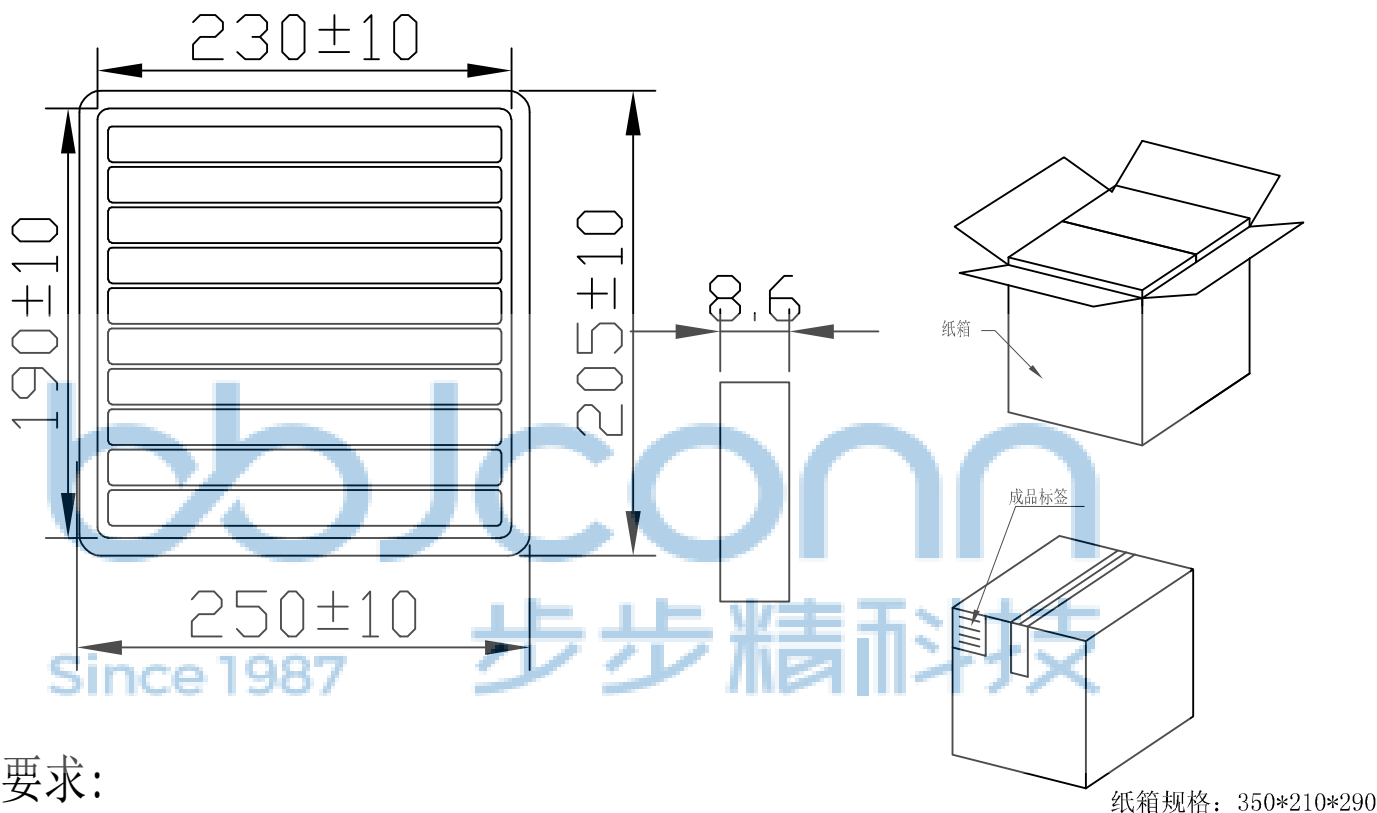
RECOMMEND P. C. B. LAYOUT

NOTES:

- MATERIAL SPECIFICATION:
 - HOUSING MATERIAL: BLACK PBT ROHS.
 - AFTER PLUG: BLACK PBT ROHS.
 - SHELL MATERIAL: SPCC/C2680 T: 0.30mm PLATING: NICKEL.
 - TERMINAL: C5191 T: 0.25mm PLATING: SEMI GOLD TIN G/F.
- ELECTRICAL CHARACTERISTIC:
 - INSULATION RESISTANCE: 1000MΩ MIN;
 - CONTACT RESISTANCE: 30mΩ MAX;
 - WITHSTANDING VOLTAGE: 500V AC;
- MECHANICAL CHARACTERISTICS:
 - INSERTION FORCE: 3.57Kgf Max;
 - EXTRACTION FORCE: 1.02Kgf Min;



THIS DOCUMENT IS THE SOLE PROPERTY OF BBJconn Technology Co., Ltd. Corporation AND SHOULD NOT BE USED IN WHOLE OR IN PART WITHOUT PRIOR WRITTEN PERMISSION.		深圳市步步精科技有限公司	
PDWG. NO: 0036-1		APPD. JM_Zheng CHKD. LYX DR. TSP	NAME: USB 2.0 AF 180度 长体 H=15.0 两脚插 弯脚 端子DIP 卷边 PBT黑胶 铜壳 PJ. NO.: UB.01.11-12-4004 SIZE: A4 DRW NO.: FINISH: SEE NOTES MAT'L.: SEE NOTES SCALE: N/A REV.: AO UNIT: mm PAGE: 1/2



1. 包装要求:
- 1.1 每盒吸塑盒包装100pcs;
 - 1.2 每20盘放一箱, 共计2000PCS;
 - 1.3 纸箱外贴上标签。

THIS DOCUMENT IS THE SOLE PROPERTY OF BBJconn Technology Co.,Ltd. Corporation AND SHOULD NOT BE USED IN WHOLE OR IN PART WITHOUT PRIOR WRITTEN PERMISSION. PDWG.NO: 0036-1	深圳市步步精科技有限公司		NAME: USB 2.0 AF 180度 长体 H=15.0 两脚插 弯脚 端子DIP 卷边 PBT黑胶 铜壳		
	.X: ±0.38 .XX: ±0.25 .XXX: ±0.13		X*: ±3' .X*: ±2' .XX*: ±1'		
	APPD.	JM_Zheng		PJ. NO.: UB.01.11-12-4004	
	CHKD.	LYX	SIZE: A4 DRW NO.:		
	DR.	TSP	FINISH: SEE NOTES	MAT'L.: SEE NOTES	
		SCALE: N/A	REV.: A0	UNIT: mm	PAGE: 2/2