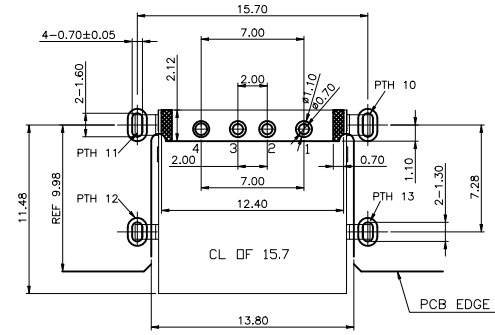
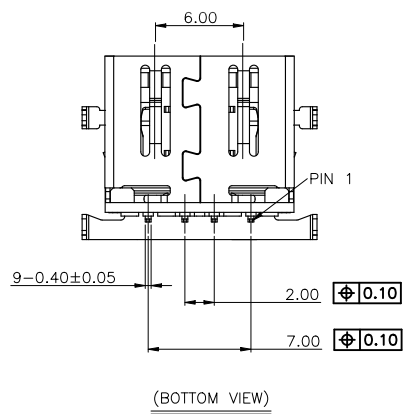
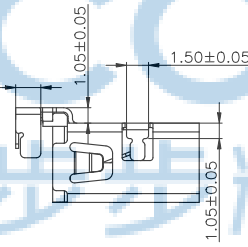
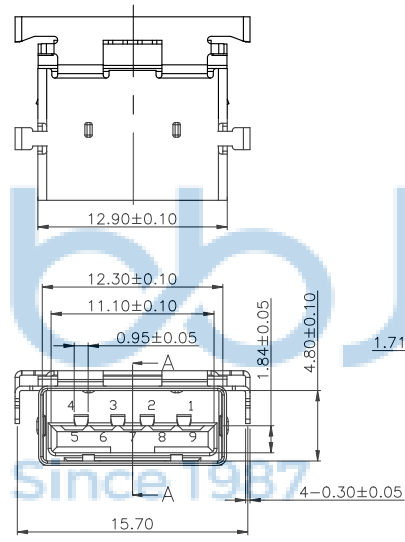
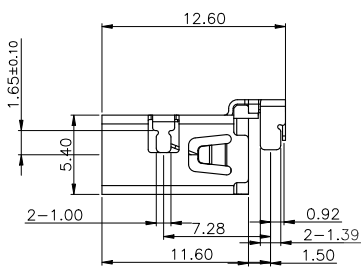


REV.	ECN NO.	CONTENT	DATE	ENGINEER
A0		Initial release	/	GZY

NOTE:  
 1.MATERIAL:  
 1.1 INSULATOR: HIGH TEMPERATURE PLASTIC UL 94 V-0;  
 1.2 CONTACT: COPPER ALLOY(T=0.2mm)  
 1.3 SHELL: SUS201(T=0.30mm)  
 2.ELECTRICAL CHARACTERISTICS;  
 2.1 CONTACT RESISTANCE: 30m MAX.  
 2.2 CONTACT CURRENT RATING: 1.5A  
 2.3 DIELECTRIC WITHSTANDING VOLTAGE: 500 V R.M.S.  
 2.4 INSULATION RESISTANCE 100 MEGOHMS M  
 2.5 OPERATING TEMPERATURE: -55°C~85°C  
 2.6 RATE VOLTAGE: 30V DC  
 3 MECHANICAL CHARACTERISTICS:  
 3.1 MATING FORCE: 10 N Min INITIAL; 8 N Min AFTER TEST  
 3.2 UNMATED FORCE: 35 N Max  
 3.3 DURABILITY: 5,000 CYCLES  
 4.PLATING  
 4.1 TERMINAL CONTACT: GOLD PLATING ALL OVER  
 50u" MIN NICKEL AND 80u" MIN Matte Tin  
 NICKEL IN SOLDER AREA (SEE TAB)  
 4.2 SHELL: 50u" MIN. NICKEL ALL OVER



TOLERANCE: ±0.05, THICKNESS: 1.0~1.2mm  
 RECOMMENDED PCB LAYOUT  
 (TOP VIEW)  
 KEEP OUT AREA



(BOTTOM VIEW)

Pin #	SIGNAL NAME	DESCRIPTION	MATING SEQUENCE
1	VBUS	POWER	SECOND
2	D-	USB 2.0 DIFFERENTIAL PAIR	THIRD
3	D+		
4	GND	GROUND FOR POWER RETURN	SECOND
5	StdA_SSRX-	SUPERSPEED RECEIVER DIFFERENTIAL PAIR	LAST
6	StdA_SSRX+		
7	GND_DRAIN	GROUND FOR SIGNAL RETURN	
8	StdA_SSTX-	SUPERSPEED TRANSMITTER DIFFERENTIAL PAIR	
9	StdA_SSTX+		
Shell	Shield	CONNECTOR METAL SHELL	FRIST



THIS DOCUMENT IS THE SOLE PROPERTY OF BBJconn Technology Co.,Ltd. Corporation AND SHOULD NOT BE USED IN WHOLE OR IN PART WITHOUT PRIOR WRITTEN PERMISSION.  
 PDWG.NO: 0471-1

**深圳市步步精科技有限公司**

NAME: USB 2.0 AF 90度 短体 反向沉板1.05 DIP  
 L=12.6 平口 不锈钢外壳 四脚插 编带

PJ. NO.: 127-272-040001-Y4G  
 SIZE: A4 DRW NO.:

FINISH: SEE NOTES MAT'L: SEE NOTES  
 SCALE: N/A REV.: A0 UNIT: mm PAGE: 1/2

APPD. JM\_Zheng  
 CHKD. LYX  
 DR. GZY

REV.	ECN NO.	CONTENT	DATE	ENGINEER
A0		Initial release	/	GZY

A

B

C

D

E

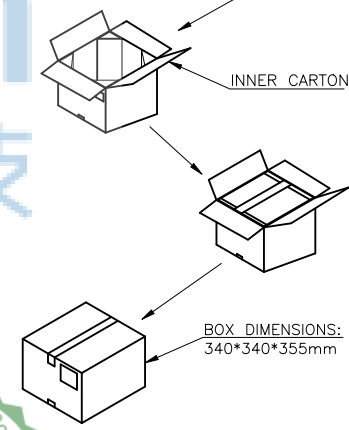
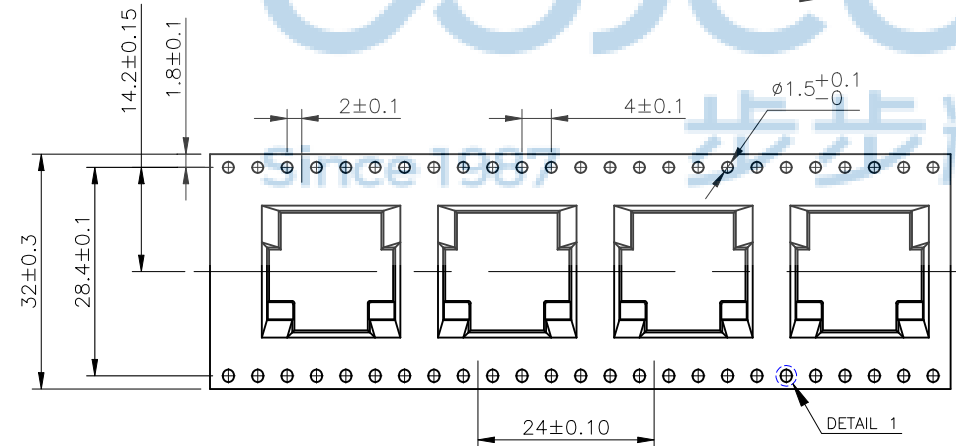
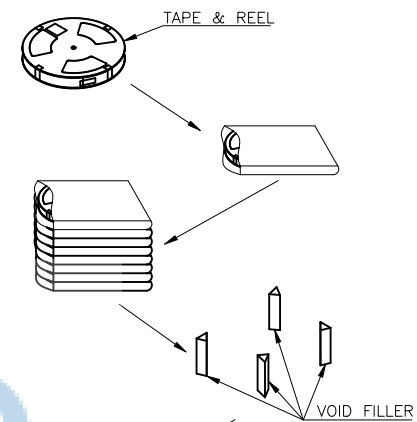
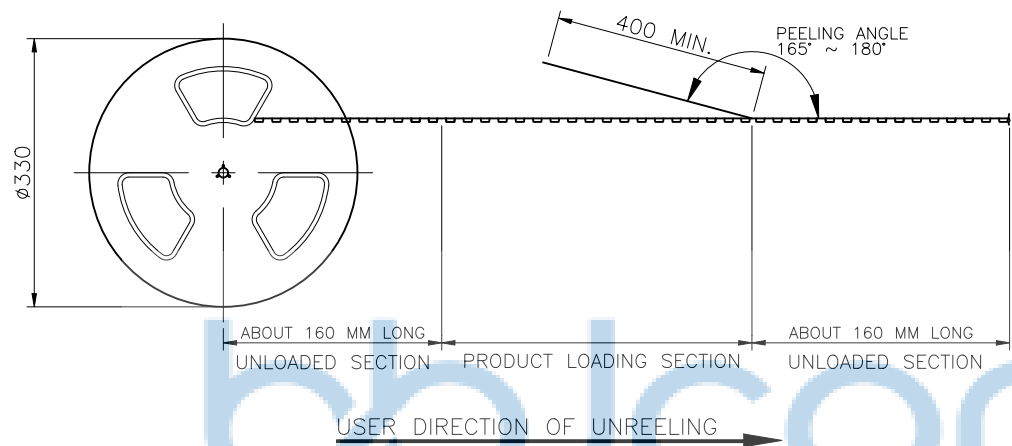
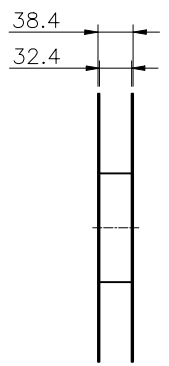
A

B

C

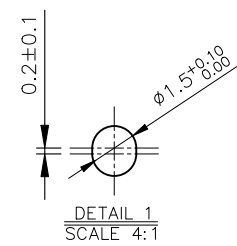
D

E



**NOTE:**

- MATERIAL:**  
BOX: FIBREBOARD, CORRUGATED, DOUBLE WALL.  
TAPE: POLYSTYRENES, HEAT-RESISTANT TEMPERATURE: 120°C, BLACK COLOR.  
REEL: POLYSTYRENES, HEAT-RESISTANT TEMPERATURE: 70°C, BLUE COLOR.  
BAG: POLYETHYLENE, HEAT-RESISTANT TEMPERATURE: 100°C.
- PEELING STRENGTH: 0.1 ~ 1.3 N (10 ~ 130 GRAMS)
- PEELING SPEED: 300 mm/min.
- EACH BAG SHALL BE INCLUDED DESICCANT.



350	9	3150PCS	-- KG	-- KG
PCS/ REEL	REELS/ CARTON	QUANTITY	GROSS WEIGHT	NET WEIGHT

THIS DOCUMENT IS THE SOLE PROPERTY OF BBJconn Technology Co., Ltd. Corporation AND SHOULD NOT BE USED IN WHOLE OR IN PART WITHOUT PRIOR WRITTEN PERMISSION.

PDWG.NO: 0471-1

**深圳市步步精科技有限公司**

NAME:	USB 2.0 AF 90度 短体 反向沉板1.05 DIP L=12.6 平口 不锈钢外壳 四脚插 编带		
APPD.	JM_Zheng	PJ. NO.:	127-272-040001-Y4G
CHKD.	LYX	SIZE:	A4 DRW NO.:
DR.	GZY	FINISH:	SEE NOTES
		MAT'L.:	SEE NOTES
		SCALE:	N/A
		REV.:	A0
		UNIT:	mm
		PAGE:	2/2