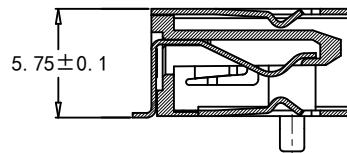
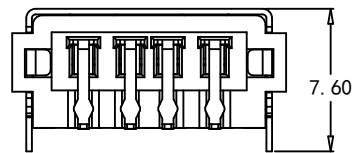
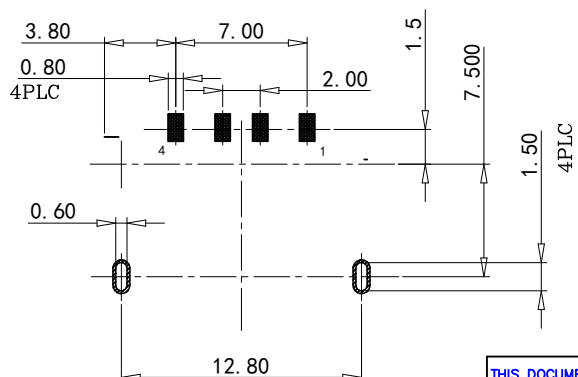
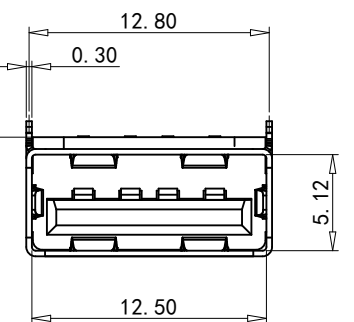
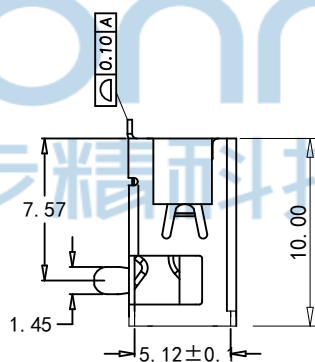
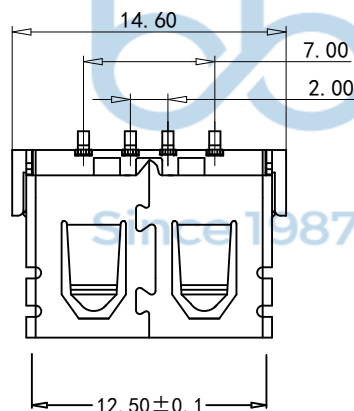


REV.	ECN NO	CONTENT	DATE	ENGINEER
A0		Initial release	/	GZY



SECTION A-A



RECOMMENDED PCB LAYOUT
THICKNESS=1.0mm (TOLERANCES ±0.05)

规格说明: Specifications:

电气特性: Electrical:

- 额定电流: Current Rating
1.5A/contact terminal
- 额定电压: Voltage Rating
30V DC
- 接触阻抗: Contact Resistance
30 milliohms MAX
- 耐压: Dielectric Withstanding Voitage:
500 V AC AT Sea Level
- 绝缘阻抗: Insulation Resistance:
1000MEGA ohms MIN

物理性能: Mechanical:

- 插拔力: Connector Mate and Unmate Force
Mate force: 3.57kgf (MAX)
Unmate force: 1.02kgf (MIN)
- 端子保持力: Terminal Retention
1.2kgf (MIN)

原材料: Material:

- 塑胶: Housing:
Hing Temperature Ternmaplastics,
LCP BLACK
- 端子: Contact: Copper Alloy C2680
- 外壳: Shell: Copper Alloy C2680/SPCC

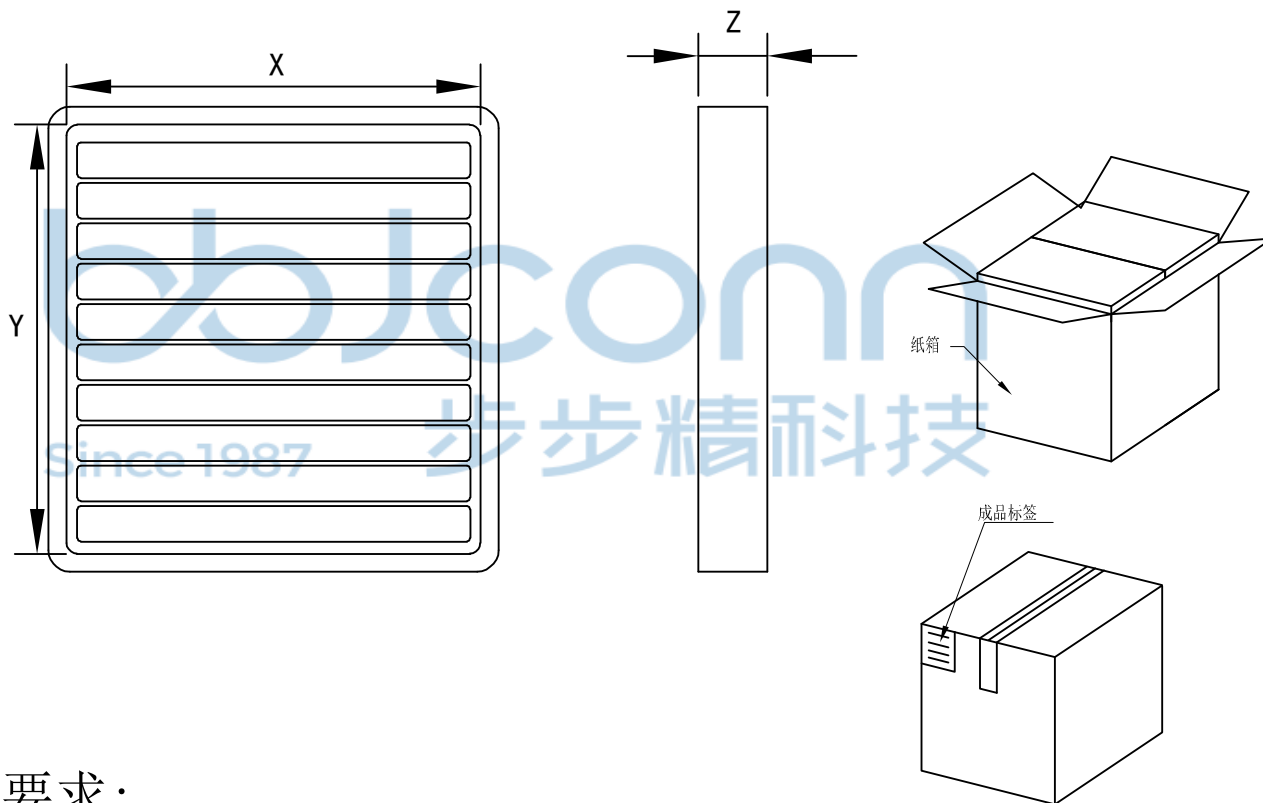
电镀: Finish:

- 端子: Contact: Plated Gold in Mating Area;
Tin On Solder Tails
- 外壳: Shell: SPCC
Nickel Plating



THIS DOCUMENT IS THE SOLE PROPERTY OF BBJconn Technology Co., Ltd. Corporation AND SHOULD NOT BE USED IN WHOLE OR IN PART WITHOUT PRIOR WRITTEN PERMISSION. PDWG.NO: 0383-1		深圳市步步精科技有限公司 .X: ±0.38 .XX: ±0.25 .XXX: ±0.13 X*: ±3" .X*: ±2" .XX*: ±1"		NAME: USB 2.0 AF 短体 90度 外壳前两脚DIP 端子SMT L=10.0 H=5.75 平口 铁壳 LCP黑胶 盒装 APPD. JM_Zheng CHKD. LYX DR. GZY	
		PJ. NO.: 127-271-040020-W7G SIZE: A4 DRW NO.: FINISH: SEE NOTES MAT'L.: SEE NOTES SCALE: N/A REV.: A0 UNIT: mm PAGE: 1/2			

REV.	ECN NO	CONTENT	DATE	ENGINEER
A0		Initial release	/	GZY



1. 包装要求:

- 1.1 每盒吸塑盒包装100pcs;
- 1.2 每10盘放一箱, 共计1000PCS;
- 1.3 纸箱外贴上标签。

纸箱规格: 350*210*290



THIS DOCUMENT IS THE SOLE PROPERTY OF BBJconn Technology Co., Ltd. Corporation AND SHOULD NOT BE USED IN WHOLE OR IN PART WITHOUT PRIOR WRITTEN PERMISSION.		深圳市步步精科技有限公司 .X: ±0.38 .X': ±3" .XX: ±0.25 .X'': ±2" .XXX: ±0.13 .X''': ±1"		NAME: USB 2.0 AF 短体 90度 外壳前两脚DIP 端子SMT L=10.0 H=5.75 平口 铁壳 LCP黑胶 盒装	
APPD.	JM_Zheng	PJ. NO.: 127-271-040020-W7G		SIZE: A4 DRW NO.:	
CHKD.	LYX	FINISH: SEE NOTES		MAT'L.: SEE NOTES	
PDWG.NO:	0383-1	DR.	GZY	SCALE: N/A	REV.: A0 UNIT: mm PAGE: 2/2