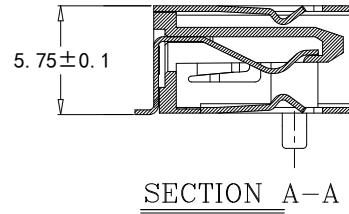
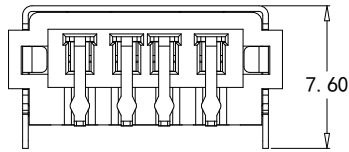


REV.	ECN NO	CONTENT	DATE	ENGINEER
A0		Initial release	/	GZY

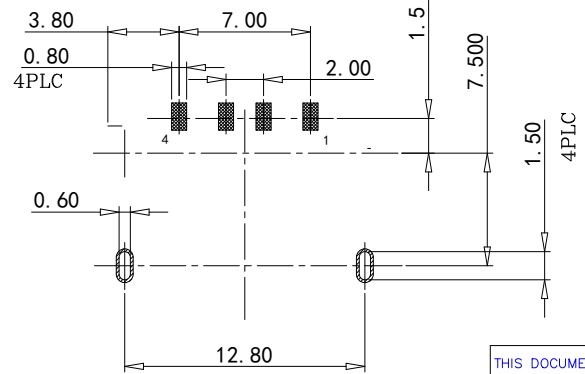
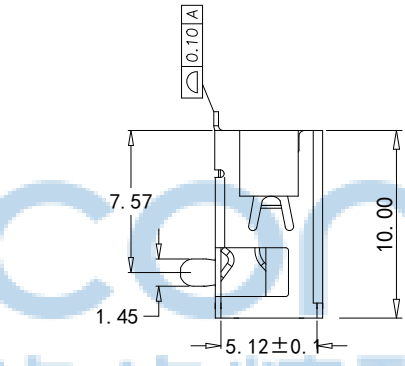
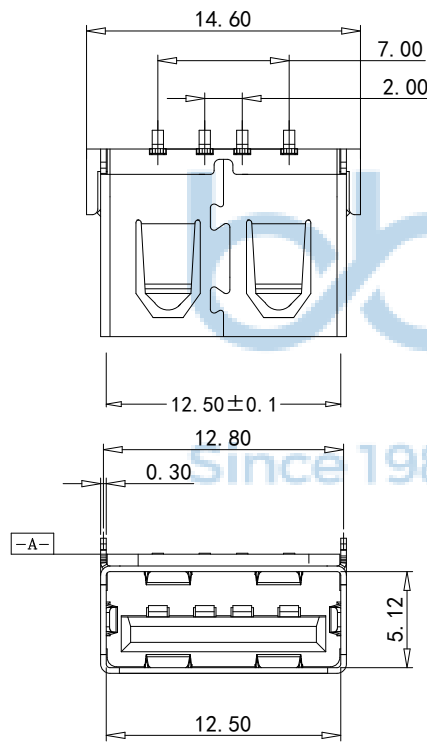


- 规格说明: Specifications:
- 电气特性: Electrical:
1. 额定电流: Current Rating
1.5A/contact terminal
 2. 额定电压: Voltage Rating
30V DC
 3. 接触阻抗: Contact Resistance
30 milliohms MAX
 4. 耐电压: Dielectric Withstanding Voltage:
500 V AC AT Sea Level
 5. 绝缘阻抗: Insulation Resistance:
1000MEGA ohms MIN

- 物理性能: Mechanical:
1. 插拔力: Connector Mate and Unmate Force
Mate force: 3.57kgf (MAX)
Unmate force: 1.02kgf (MIN)
 2. 端子保持力: Terminal Retention
1.2kgf (MIN)

- 原材料: Material:
1. 塑胶: Housing:
Hing Temperature Thermoplastics,
LCP BLACK
 2. 端子: Contact: Copper Alloy C2680
 3. 外壳: Shell: Copper Alloy C2680/SPCC

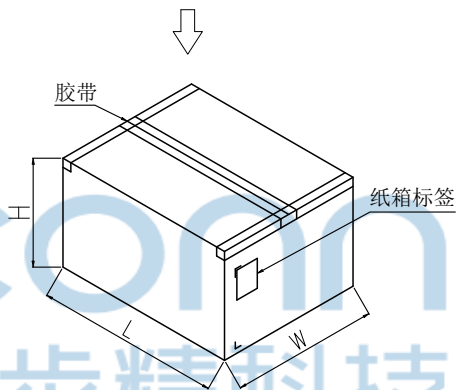
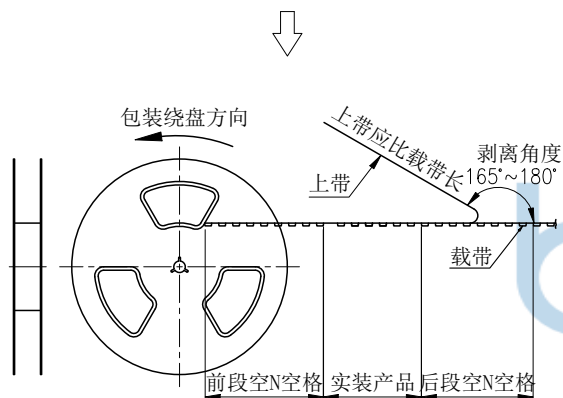
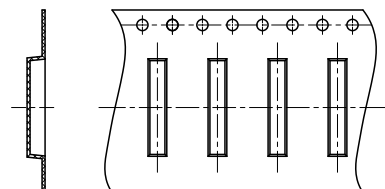
- 电镀: Finish:
1. 端子: Contact: Plated Gold in Mating Area;
Tin On Solder Tails
 2. 外壳: Shell: SPCC
Nickel Plating



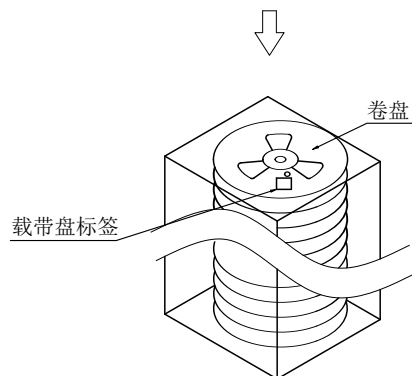
RECOMMENDED PCB LAYOUT
THICKNESS=1.0mm (TOLERANCES ±0.05)

THIS DOCUMENT IS THE SOLE PROPERTY OF BBJconn Technology Co., Ltd. Corporation AND SHOULD NOT BE USED IN WHOLE OR IN PART WITHOUT PRIOR WRITTEN PERMISSION.		深圳市步步精科技有限公司	
.X: ±0.38 .XX: ±0.25 .XXX: ±0.13		X': ±3' X'': ±2' XX': ±1'	
APPD.	JM_Zheng	NAME: USB 2.0 AF 短体 90度 外壳前两脚DIP 端子SMT L=10.0 H=5.75 平口 铁壳 LCP黑胶	
CHKD.	LYX	P.J. NO.: 127-271-040022-W7G	
DR.	GZY	SIZE: A4 DRW NO.:	
PDWG.NO: 0383-1		FINISH: SEE NOTES MAT'L.: SEE NOTES	
		SCALE: N/A REV.: A0 UNIT: mm PAGE: 1/2	

REV.	ECN NO	CONTENT	DATE	ENGINEER
A0		Initial release	/	



纸箱规格: W340*L340*H305MM



备注:

- 1、包装数量: 500/PCS/卷, 10卷/箱。
- 2、包装袋长度: 每卷前后各空10-20个空格, 中间包装。
- 3、材质:
载体: 聚丙烯 (PS), 阻抗 $10^{6-9} \Omega$
上带: 聚乙烯 (PET), 阻抗 $10^{6-11} \Omega$
卷盘: 聚苯乙烯。



THIS DOCUMENT IS THE SOLE PROPERTY OF BBJconn Technology Co., Ltd. Corporation AND SHOULD NOT BE USED IN WHOLE OR IN PART WITHOUT PRIOR WRITTEN PERMISSION. PDWG,NO: 0383-1	深圳市步步精科技有限公司		
	.X: ± 0.38 .XX: ± 0.25 .XXX: ± 0.13	X': $\pm 3'$.X': $\pm 2'$.XX': $\pm 1'$	NAME: USB 2.0 AF 短体 90度 外壳前两脚DIP 端子SMT L=10.0 H=5.75 平口 铁壳 LCP黑胶
	APPD. JM_Zheng	PJ. NO.: 127-271-040022-W7G	
	CHKD. Tang	SIZE: A4 DRW NO.:	
	DR. LYX	FINISH: SEE NOTES MAT'L.: SEE NOTES SCALE: N/A REV.: A0 UNIT: mm PAGE: 2/2	