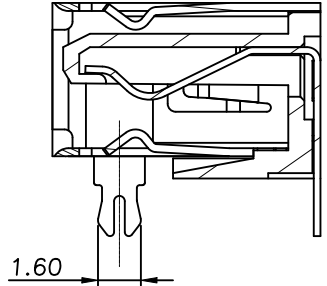
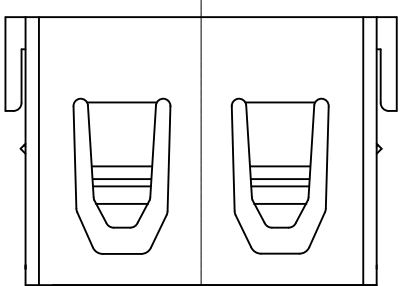


REV.	ECN NO	CONTENT	DATE	ENGINEER
A0		Initial release	/	TSP

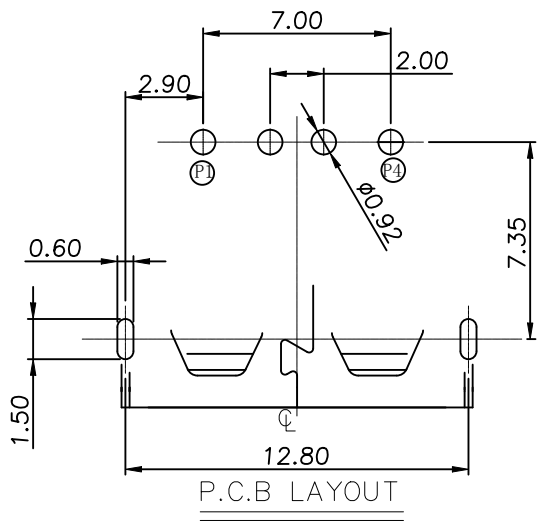
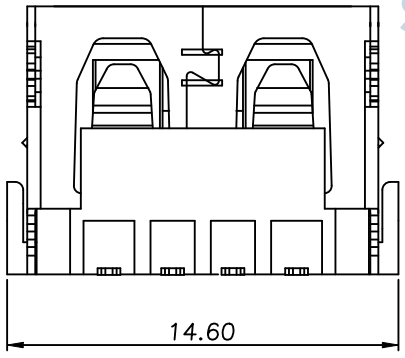
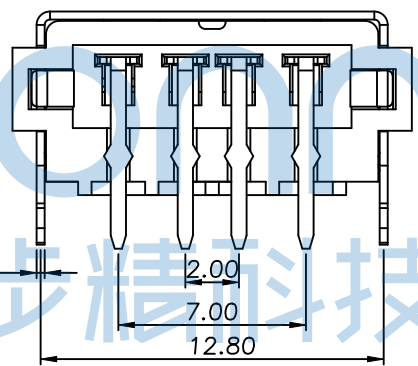
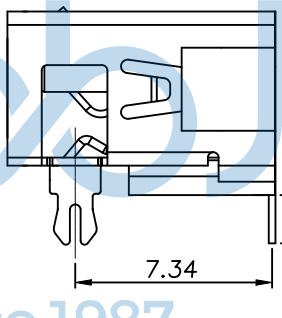
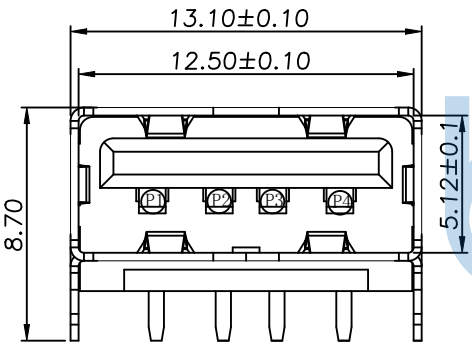
规格说明:Specifications:  
 电气特性:Electrical:  
 1. 额定电流: Current Rating  
 1.5A/contact terminal  
 2. 额定电压: Voltage Rating  
 30V DC  
 3. 接触阻抗:Contact Resistance  
 30 milliohms MAX  
 4. 耐电压:Dielectric Withstanding Voltage:  
 500 V AC AT Sea Level  
 5. 绝缘阻抗:Insulation Resistance:  
 1000MEGA ohms MIN

物理性能:Mechanical:  
 1. 插拔力: Connector Mate and Unmate Force  
 Mate force:3.57kgf (MAX)  
 Unmate force:1.02kgf (MIN)  
 2. 端子保持力: Terminal Retention  
 1.2kgf (MIN)

原材料:Material:  
 1. 塑胶:Housing:  
 High Temperature Thermoplastics,  
 UL 94V-0 PBT White/Black  
 2. 端子:Contact:Copper Alloy C2680  
 3. 外壳:Shell: Copper Alloy C2680/SPCC  
 电镀:Finish:  
 1. 端子:Contact: Plated Gold in Mating Area;  
 Tin On Solder Tails  
 2. 外壳:Shell:  
 Nickel Plating



SECTION A-A



P.C.B LAYOUT

contact Number	Signal Name	Typical Wiring Assignment
1	VBUS	Red
2	D-	white
3	D+	Green
4	GND	Black
shell	shield	Drain wire

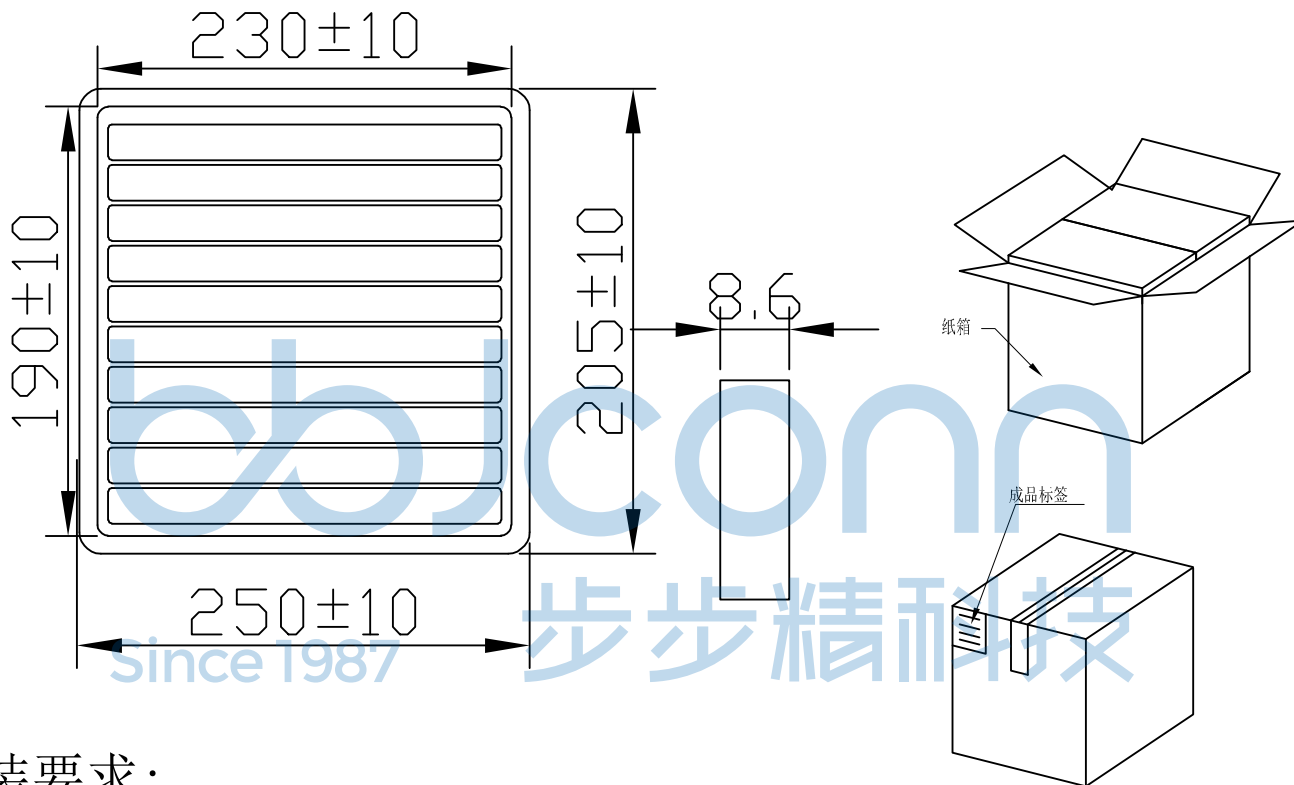
THIS DOCUMENT IS THE SOLE PROPERTY OF BBJconn Technology Co.,Ltd. Corporation AND SHOULD NOT BE USED IN WHOLE OR IN PART WITHOUT PRIOR WRITTEN PERMISSION. PDWG,NO: 0383-1

**深圳市步步精科技有限公司**

NAME: USB 2.0 AF 90度 短体 L=10.0 H=6.80 前两脚插 平口 PBT白胶 铜壳


APPD. JM\_Zheng  
 CHKD. LYX  
 DR. TSP

PJ. NO.: 127-272-040098-W7G  
 SIZE: A4 DRW NO.:  
 FINISH: SEE NOTES MAT'L.: SEE NOTES  
 SCALE: N/A REV.: A0 UNIT: mm PAGE: 1/2



纸箱规格: 350\*210\*290

1. 包装要求:
- 1.1 每盒吸塑盒包装100pcs;
- 1.2 每20盘放一箱, 共计2000PCS;
- 1.3 纸箱外贴上标签。

THIS DOCUMENT IS THE SOLE PROPERTY OF BBJconn Technology Co.,Ltd. Corporation AND SHOULD NOT BE USED IN WHOLE OR IN PART WITHOUT PRIOR WRITTEN PERMISSION.		 <b>深圳市步步精科技有限公司</b>	
PDWG.NO: 0383-1		.X: ±0.38 .XX: ±0.25 .XXX: ±0.13	X*: ±3" .X*: ±2" .XX*: ±1"
APPD.	JM_Zheng	NAME: USB 2.0 AF 90度 短体 L=10.0 H=6.80 前两脚插 平口 PBT白胶 铜壳	
CHKD.	LYX	PJ. NO.: 127-272-040098-W7G	
DR.	TSP	SIZE: A4 DRW NO.:	
		FINISH: SEE NOTES MAT'L.: SEE NOTES	
		SCALE: N/A REV.: A0 UNIT: mm PAGE: 2/2	