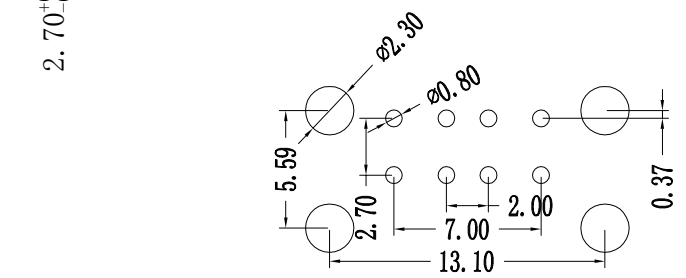
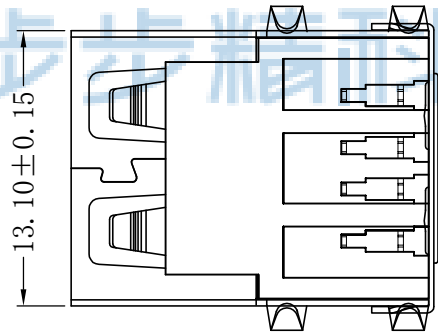
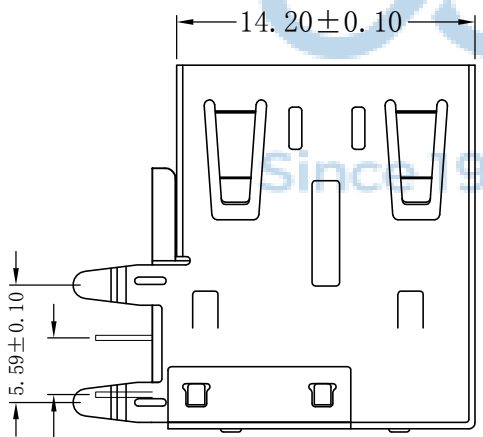
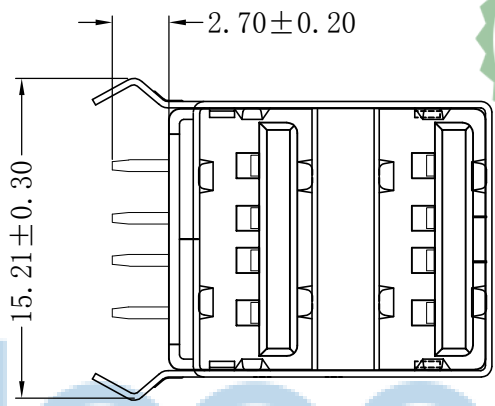
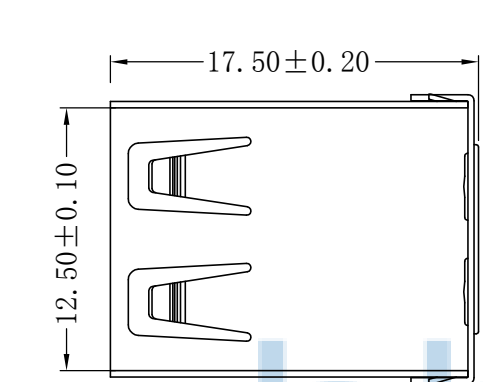


REV.	ECN NO.	CONTENT	DATE	ENGINEER
AO		Initial release	/	LYL



规格说明: Specifications:

电气特性: Electrical:

1. 额定电流: Current Rating
1.5A/contact terminal
2. 额定电压: Voltage Rating
30V DC
3. 接触阻抗: Contact Resistance
30 milliohms MAX
4. 耐电压: Dielectric Withstanding Voltage:
500 V AC AT Sea Level
5. 绝缘阻抗: Insulation Resistance:
1000MEGA ohms MIN

物理性能: Mechanical:

1. 插拔力: Connector Mate and Unmate Force
Mate force: 3.57kgf (MAX)
Unmate force: 1.02kgf (MIN)
2. 端子保持力: Terminal Retention
1.2kgf (MIN)

原材料: Material:

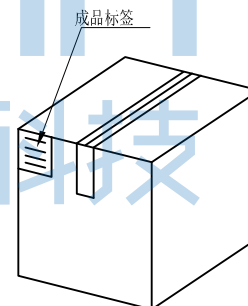
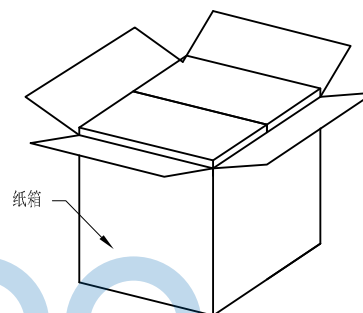
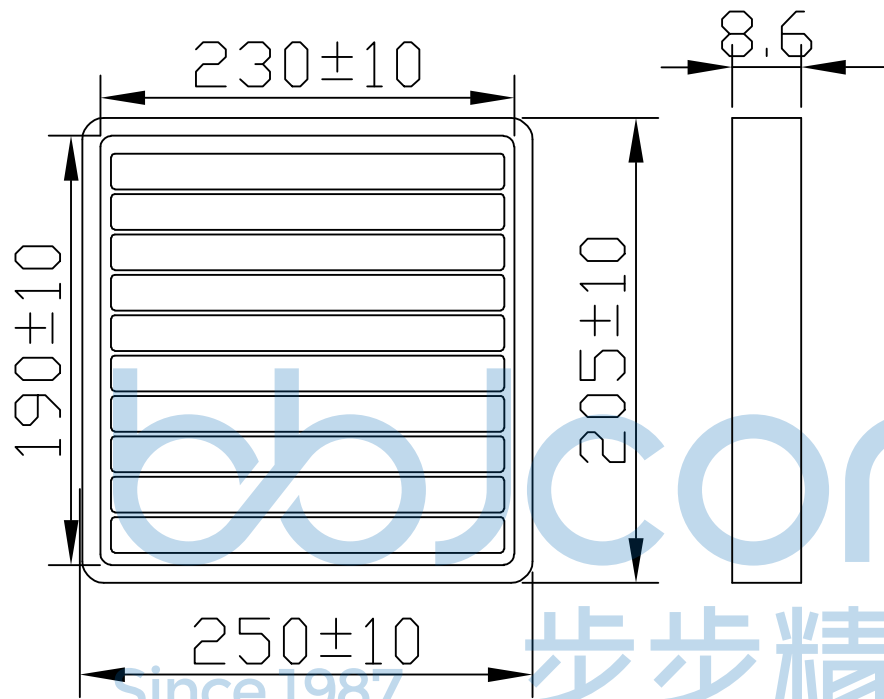
1. 塑胶: Housing:
PBT/LCP WHITE BLACK
2. 外壳: Shell: SPCC/C2680
Nickel Plating
2. 端子: Contact: Copper Alloy

电镀: Finish:

1. 端子: Contact: Plated Gold in Mating Area;
Tin On Solder Talls



THIS DOCUMENT IS THE SOLE PROPERTY OF BBJconn Technology Co., Ltd. Corporation AND SHOULD NOT BE USED IN WHOLE OR IN PART WITHOUT PRIOR WRITTEN PERMISSION.		深圳市步步精科技有限公司	
.X: ±0.38 X*: ±3* .XX: ±0.25 .X*: ±2* .XXX: ±0.13 .XX*: ±1*		NAME: USB 2.0 AF 双层 90度 L=17.50 弯脚 DIP 平口 PBT蓝胶 铁壳	
APPD. JM_Zheng	PJ. NO.: 127-272-040109-W7G		SIZE: A4 DRW NO.:
CHKD. LYX	FINISH: SEE NOTES		MAT'L.: SEE NOTES
PDWG.NO: 0383-1	DR. LYL	SCALE: N/A	REV.: AO UNIT: mm PAGE: 1/2



纸箱规格: 350*210*290

1. 包装要求:
- 1.1 每盒吸塑盒包装100pcs;
- 1.2 每20盘放一箱, 共计2000PCS;
- 1.3 纸箱外贴上标签。

THIS DOCUMENT IS THE SOLE PROPERTY OF BBJconn Technology Co.,Ltd. Corporation AND SHOULD NOT BE USED IN WHOLE OR IN PART WITHOUT PRIOR WRITTEN PERMISSION.		深圳市步步精科技有限公司 .X: ±0.38 .X': ±3" .XX: ±0.25 .X": ±2" .XXX: ±0.13 .XX": ±1"		NAME: USB 2.0 AF 双层 90度 L=17.50 弯脚 DIP 平口 PBT蓝胶 铁壳	
APPD.	JM_Zheng	PJ. NO.: 127-272-040109-W7G SIZE: A4 DRW NO.:		FINISH: SEE NOTES MAT'L.: SEE NOTES	
CHKD.	LYX	SCALE: N/A REV.: A0 UNIT: mm PAGE: 2/2			
PDWG.NO:	0383-1	DR.	LYL		