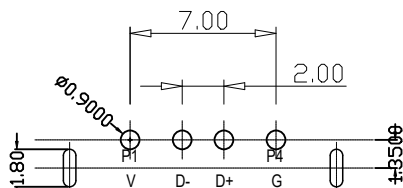
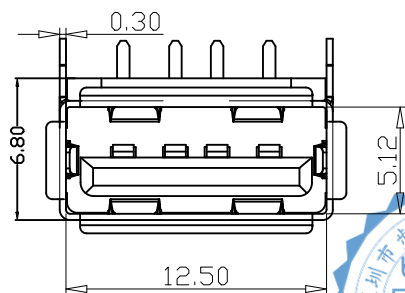
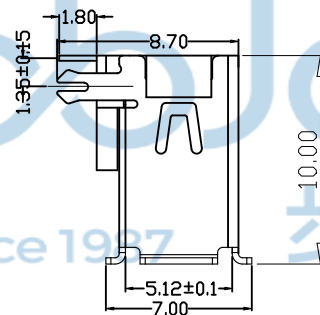
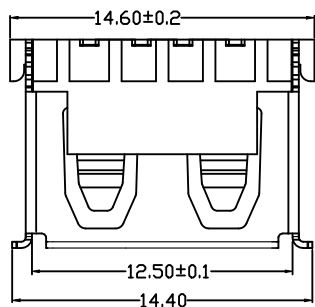


SECTION A-A



RECOMMENDED PCB LAYOUT  
THICKNESS=1.0mm (TOLERANCES ±0.05)



REV.	ECN NO	CONTENT	DATE	ENGINEER
A0		Initial release	/	

规格说明 Specifications:

电气特性 Electrical:

1. 额定电流: Current Rating  
1.5A/contact terminal
2. 额定电压: Voltage Rating  
30V DC
3. 接触阻抗: Contact Resistance  
30 milliohms MAX
4. 耐电压: Dielectric Withstanding Voltage:  
500 V AC AT Sea Level
5. 绝缘阻抗: Insulation Resistance:  
1000MEGA ohms MIN

物理性能 Mechanical:

1. 插拔力: Connector Mate and Unmate Force  
Mate force: 3.57kgf (MAX)  
Unmate force: 1.02kgf (MIN)
2. 端子保持力: Terminal Retention  
1.2kgf (MIN)

原材料 Material:

1. 塑胶 Housing:  
Hing Temperature Thermoplastics,  
UL 94V-0 PBT White/Black
2. 端子 Contact: Copper Alloy C2680
3. 外壳 Shell: Copper Alloy C2680/SPCC

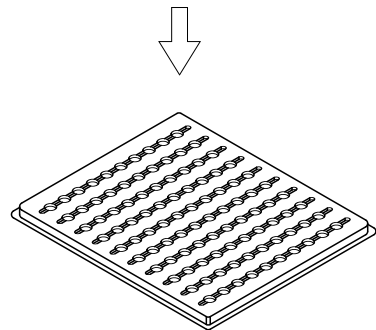
电镀 Finish:

1. 端子 Contact: Plated Gold in Mating Area;  
Tin On Solder Tails
2. 外壳 Shell:  
Nickel Plating

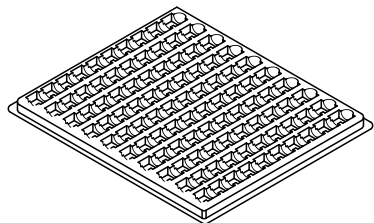
THIS DOCUMENT IS THE SOLE PROPERTY OF BBJconn Technology Co., Ltd. Corporation AND SHOULD NOT BE USED IN WHOLE OR IN PART WITHOUT PRIOR WRITTEN PERMISSION. PDWG.NO: 0383-1		深圳市步步精科技有限公司 .X: ±0.38    .X': ±3" .XX: ±0.25    .X': ±2" .XXX: ±0.13    .XX': ±1"		NAME: USB 2.0 母座 90度 短体 外壳后两脚插 端子DIP L=10.0 H=6.80 卷边 铜壳 PBT黑胶 盒装 PJ. NO.: 127-272-040111-W7G SIZE: A4 DRW NO.: FINISH: SEE NOTES    MAT'L.: SEE NOTES SCALE: N/A    REV.: A0    UNIT: mm    PAGE: 1/2	
APPD.	JM_Zheng				
CHKD.	LYX				
DR.					

产品

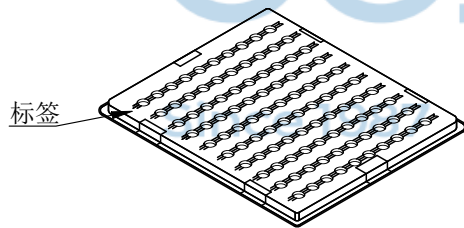
REV.	ECN NO	CONTENT	DATE	ENGINEER
A0		Initial release	/	



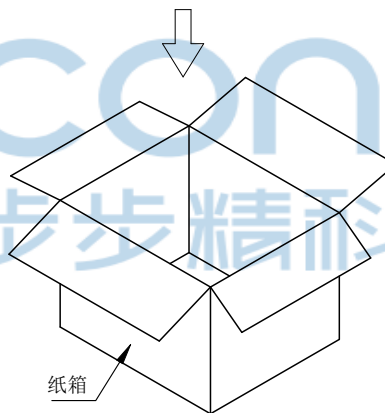
上盖



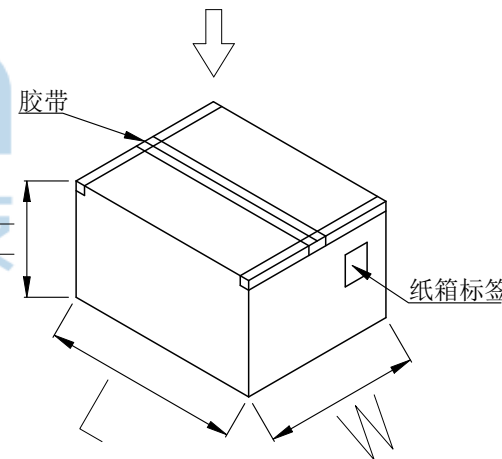
下盖



标签



纸箱



纸箱规格: L350\*W210\*H290

1、包装要求:

- 1.1 每盒吸塑盒包装100pcs;
- 1.2 每20盘放一箱, 共计2000PCS;
- 1.3 纸箱外贴上标签。

THIS DOCUMENT IS THE SOLE PROPERTY OF BBJconn Technology Co.,Ltd. Corporation AND SHOULD NOT BE USED IN WHOLE OR IN PART WITHOUT PRIOR WRITTEN PERMISSION. PDWG.NO: 0383-1		深圳市步步精科技有限公司 .X: ±0.38    .X': ±3" .XX: ±0.25    .X': ±2" .XXX: ±0.13    .XX': ±1"		NAME: USB 2.0 母座 90度 短体 外壳后两脚插 端子DIP L=10.0 H=6.80 卷边 铜壳 PBT黑胶 盒装 PJ. NO.: 127-272-040111-W7G SIZE: A4   DRW NO.: FINISH: SEE NOTES   MAT'L.: SEE NOTES SCALE: N/A   REV.: A0   UNIT: mm   PAGE: 2/2	
APPD.	JM_Zheng				
CHKD.	LYX				
DR.					