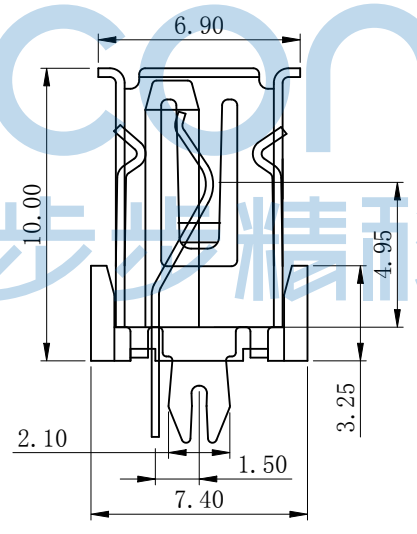
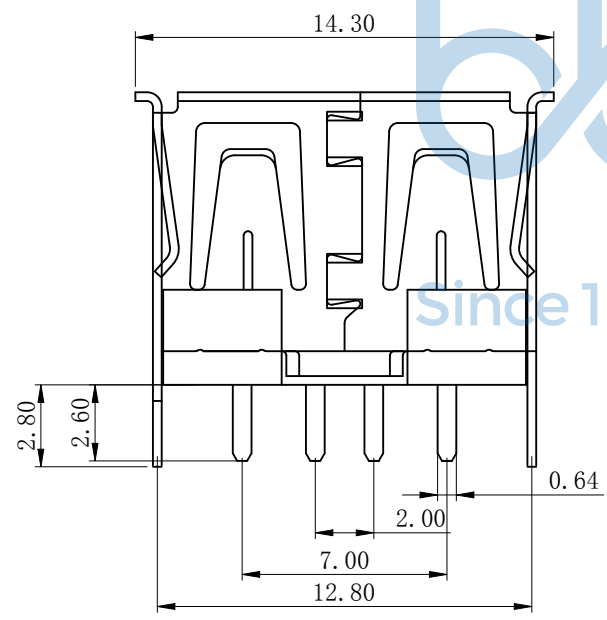
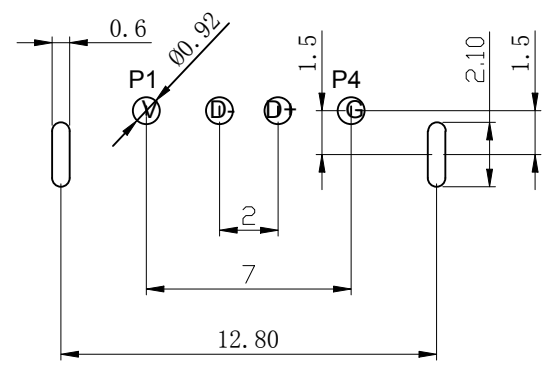
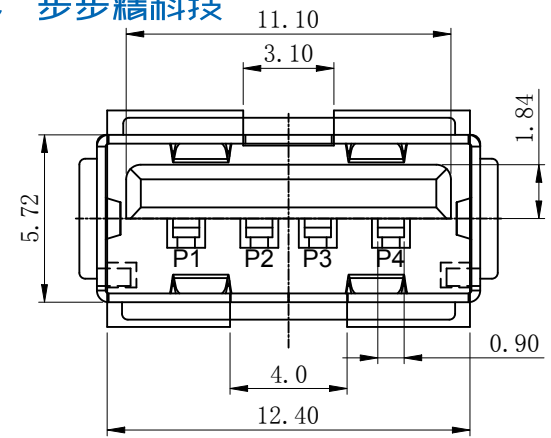


REV.	ECN NO.	CONTENT	DATE	ENGINEER
A0		Initial release	/	TSP



规格说明: Specifications:
电气特性: Electrical:

1. 额定电流: Current Rating
1.5A/contact terminal
2. 额定电压: Voltage Rating
30V DC
3. 接触阻抗: Contact Resistance
30 milliohms MAX
4. 耐电压: Dielectric Withstanding Voltage:
500 V AC AT Sea Level
5. 绝缘阻抗: Insulation Resistance:
1000MEGA ohms MIN

物理性能: Mechanical:

1. 插拔力: Connector Mate and Unmate Force
Mate force: 3.57kgf (MAX)
Unmate force: 1.02kgf (MIN)
2. 端子保持力: Terminal Retention
1.0kgf (MIN)

原材料: Material:

1. 塑胶: Housing:
Hing Temperature Ternmaplastics,
2. 端子: Contact: Copper Alloy C2680
3. 外壳: Shell: Copper Alloy C2680

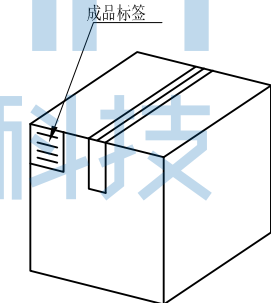
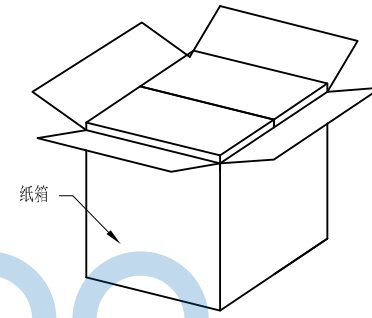
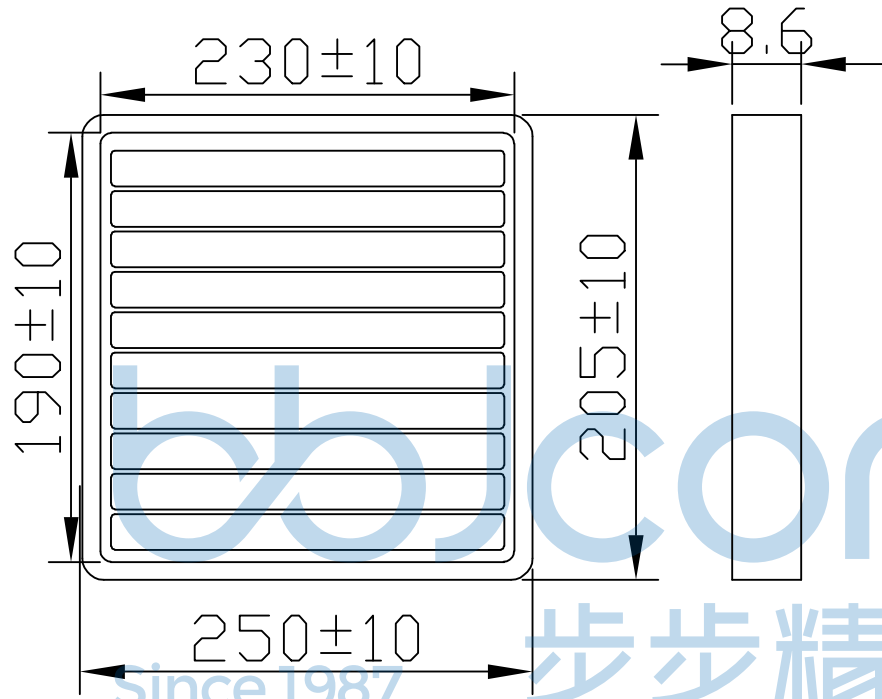
电镀: Finish:

1. 端子: Contact: Plated Gold in Mating Area;
Tin On Solder Talls
端子全部表面镀50U" (MIN) 锡, 镀金区域镀100-200U" 镀金1U"
2. 外壳: Shell:
铁壳/铜壳全部表面镀80U" (MIN) 锡
Nickel Plating



THIS DOCUMENT IS THE SOLE PROPERTY OF BBJconn Technology Co., Ltd. Corporation AND SHOULD NOT BE USED IN WHOLE OR IN PART WITHOUT PRIOR WRITTEN PERMISSION.		深圳市步步精科技有限公司	
.X: ±0.38 .X°: ±3° .XX: ±0.25 .X°: ±2° .XXX: ±0.13 .XX°: ±1°		NAME: USB 2.0 AF 180度 H=10.0 两脚直插 端子DIP 卷边 PBT白胶 铜壳	
APPD.	JM_Zheng	P.J. NO.:	
CHKD.	LYX	SIZE: A4 DRW NO.:	
PDWG.NO:	0383-1	FINISH: SEE NOTES	MAT'L: SEE NOTES
DR.	TSP	SCALE: N/A	REV.: A0 UNIT: mm PAGE: 1/2

REV.	ECN NO	CONTENT	DATE	ENGINEER
A0		Initial release	/	TSP



纸箱规格: 350*210*290

1. 包装要求:
- 1.1 每盒吸塑盒包装100pcs;
 - 1.2 每20盘放一箱, 共计2000PCS;
 - 1.3 纸箱外贴上标签。

THIS DOCUMENT IS THE SOLE PROPERTY OF BBJconn Technology Co.,Ltd. Corporation AND SHOULD NOT BE USED IN WHOLE OR IN PART WITHOUT PRIOR WRITTEN PERMISSION.		深圳市步步精科技有限公司 .X: ±0.38 .X': ±3" .XX: ±0.25 .X': ±2" .XXX: ±0.13 .XX': ±1"		NAME: USB 2.0 AF 180度 H=10.0 两脚直插 端子DIP 卷边 PBT白胶 铜壳	
APPD.	JM_Zheng	PJ. NO.: SIZE: A4 DRW NO.:		FINISH: SEE NOTES MAT'L.: SEE NOTES	
CHKD.	LYX	SCALE: N/A		REV.: A0	UNIT: mm
PDWG.NO:	0383-1	DR.	TSP	PAGE: 2/2	