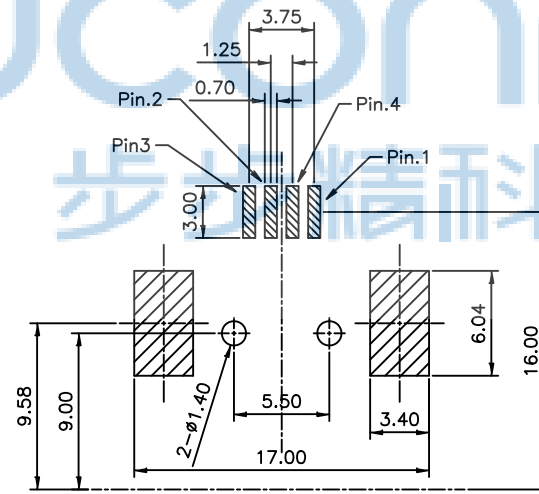
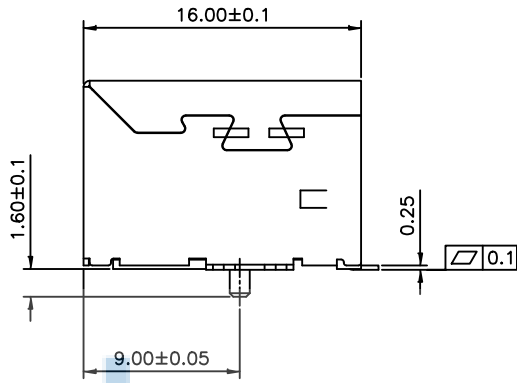
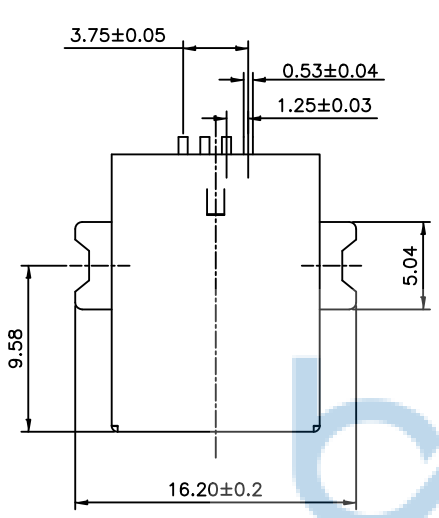


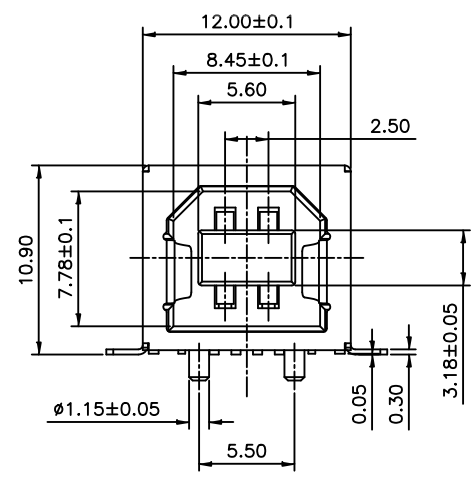
REV.	ECN NO	CONTENT	DATE	ENGINEER
A0		Initial release	/	GZY

**NOTES:**

- 1.MATERIAL:
  - 1.1 Housing: UL94V-0 Nature/BLK/WHT NL9T
  - 1.2 terminals: Copper Alloy C5191R-H T=0.25  
Gold plated in contact area:  
Tin 40u"min plated in termination  
Nickel Plated overall
  - 1.3 Shell: Brass t=0.30mm,  
Nickel 40u"min Plated overall
- 2.ELECTRICAL CHARACTERISTICS:
  - 2.1 Rating Current :1.5 Ampere
  - 2.2 Rating Voltage :30 V Max
  - 2.3 Contact Resistance:30 Milli ohms
  - 2.4 Insulation Resistance:1000 Mega ohms Min
- 3.MECHANICAL CHARACTERISTICS:
  - 3.1 Connector Mating force: 35N MAX(3.57Kgf)
  - 3.2 Connector Unmating force:10N min(1.02Kg)
  - 3.3 Durability:1500Cycles.
- 4.ENVIRONMENT CHARACTERISTICS:
  - 4.1 Operating temperature:-0℃ to +50℃
  - 4.2 Storage temperature:-20℃ to +60℃

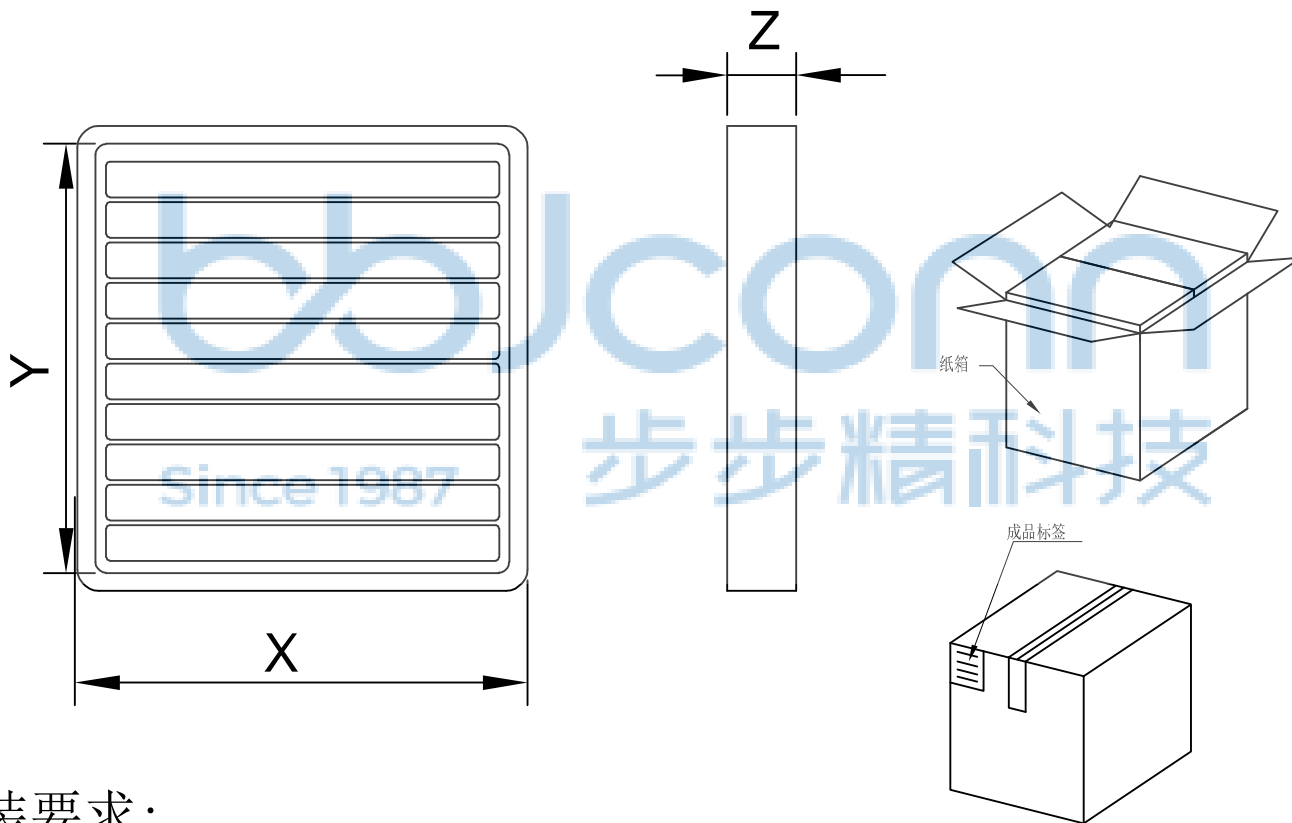


Recommended PCB Layout  
Component side



THIS DOCUMENT IS THE SOLE PROPERTY OF BBJconn Technology Co.,Ltd. Corporation AND SHOULD NOT BE USED IN WHOLE OR IN PART WITHOUT PRIOR WRITTEN PERMISSION. PDWG:NO: 0383-1		<b>深圳市步步精科技有限公司</b>	
.X: ±0.38 .XX: ±0.25 .XXX: ±0.13	X': ±3" .X': ±2" .XX': ±1"	NAME: USB 2.0 B母 90度 两脚SMT 端子SMT L=16.00 带柱 铜壳 盒装	
APPD. JM_Zheng		PJ. NO.: 127-271-040006-W7G	
CHKD. LYX		SIZE: A4 DRW NO.:	
DR. GZY		FINISH: SEE NOTES	MAT'L.: SEE NOTES
		SCALE: N/A	REV.: A0 UNIT: mm PAGE: 1/2

REV.	ECN NO	CONTENT	DATE	ENGINEER
A0		Initial release	/	GZY



1. 包装要求:
- 1.1 每盒吸塑盒包装100pcs;
  - 1.2 每10盘放一箱, 共计1000PCS;
  - 1.3 纸箱外贴上标签。

纸箱规格: 350\*210\*290

THIS DOCUMENT IS THE SOLE PROPERTY OF BBJconn Technology Co.,Ltd. Corporation AND SHOULD NOT BE USED IN WHOLE OR IN PART WITHOUT PRIOR WRITTEN PERMISSION. PDWG:NO: 0383-1		深圳市步步精科技有限公司 .X: ±0.38 .X': ±3' .XX: ±0.25 .X'': ±2' .XXX: ±0.13 .XX': ±1'		NAME: USB 2.0 B母 90度 两脚SMT 端子SMT L=16.00 带柱 铜壳 盒装 PJ. NO.: 127-271-040006-W7G SIZE: A4 DRW NO.: FINISH: SEE NOTES MAT'L.: SEE NOTES SCALE: N/A REV.: A0 UNIT: mm PAGE: 2/2	
APPD.	JM_Zheng				
CHKD.	LYX				
DR.	GZY				